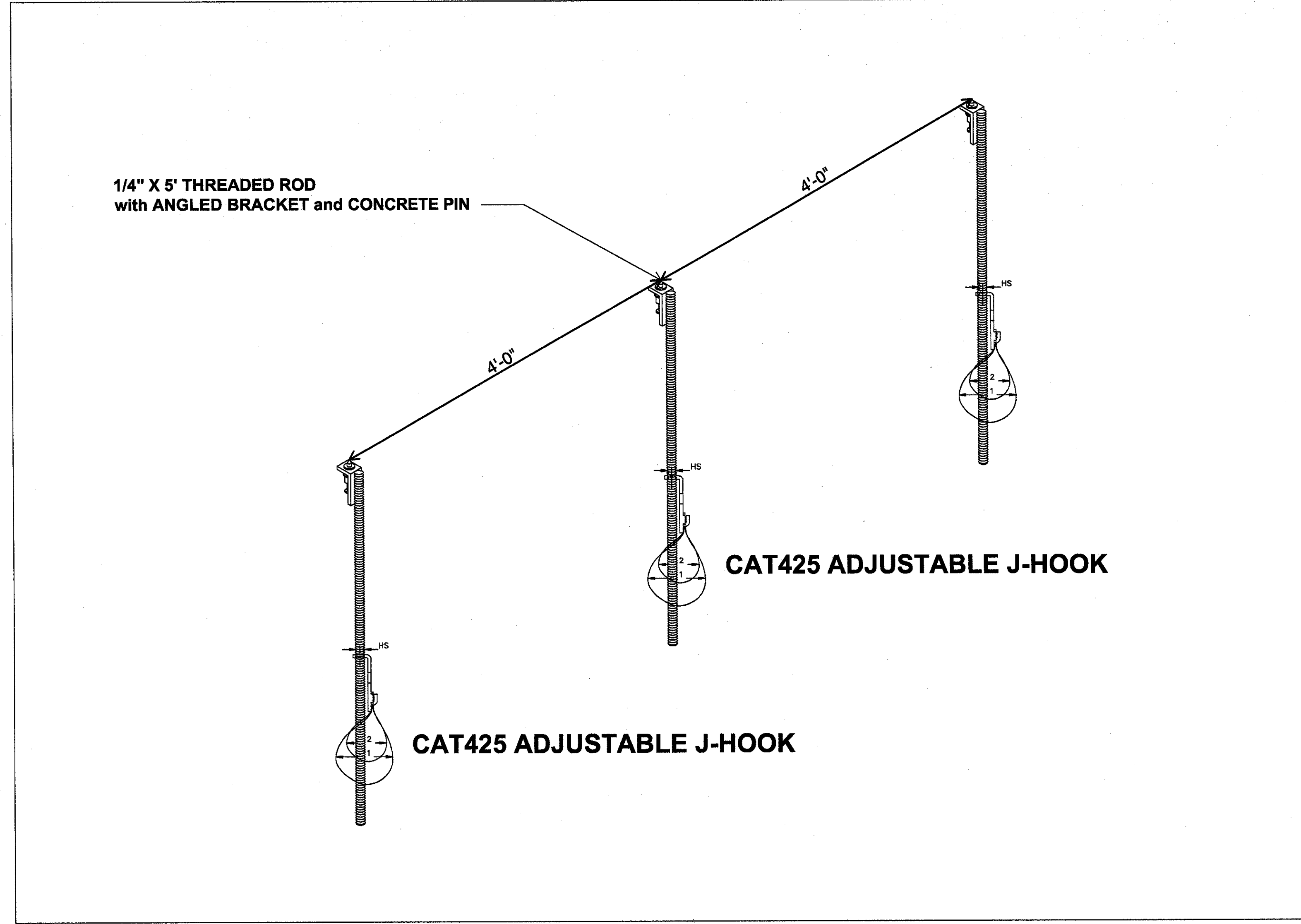
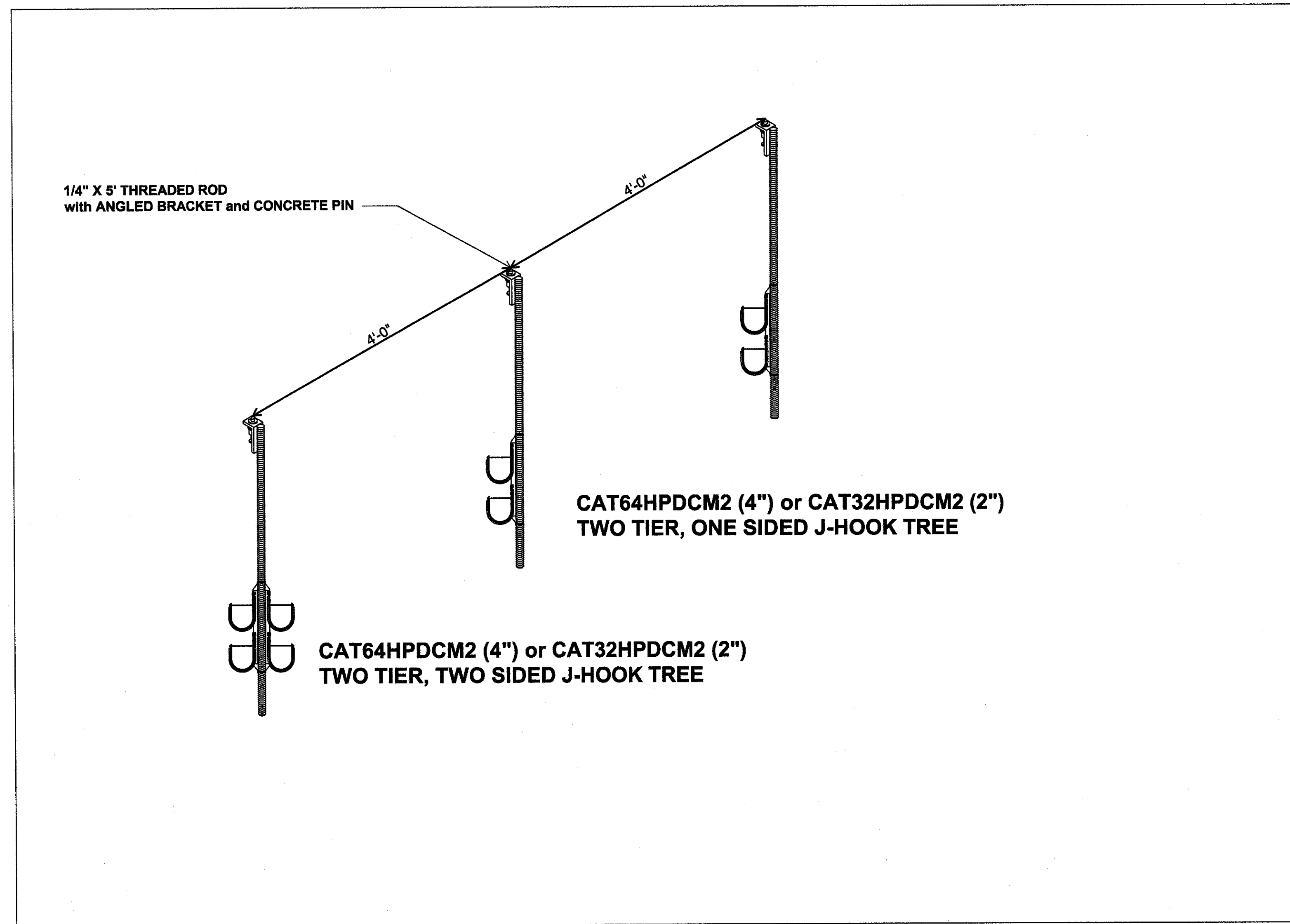


① **J-Hook and Rod Assembly**
SCALE: N.T.S.



③ **Adjustable 425 J-Hook and Rod Assembly**
SCALE: N.T.S.

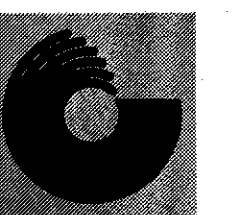


② **J-Hook Tree and Rod Assembly**
SCALE: N.T.S.

KEY NOTES

1	ROD LENGTH AND FASTENER TYPE TO BE DETERMINED BASED ON SITE CONDITIONS
2	CADDY OR EQUAL TOMARCO BRAND OK
3	SIZE ACCORDING TO CABLE BUNDLE DIAMETER PLUS 20%

1	PCC - PRELIMINARY	02/01/2017
Issue	Description	Date



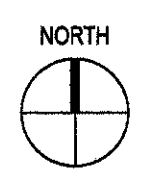
PCC Network Solutions
Design. Build. Deliver.

PCC Network Solutions
20717 Prairie St
Chatsworth, CA 91311
t: 818.407.1911
f: 818.407.1913

Telecommunication Contractor

Drawn: PCC Check: PCC Owner Approval:

Job No: - Scale: 1/4" = 1'-0"



TELECOMMUNICATIONS
PATHWAY

Sheet: **T-5.01 PCC**