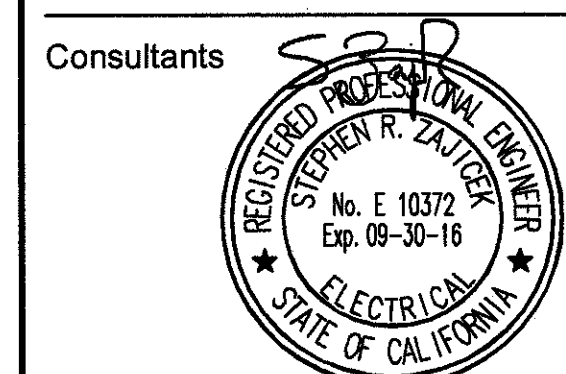


Revisions

10-20-16	

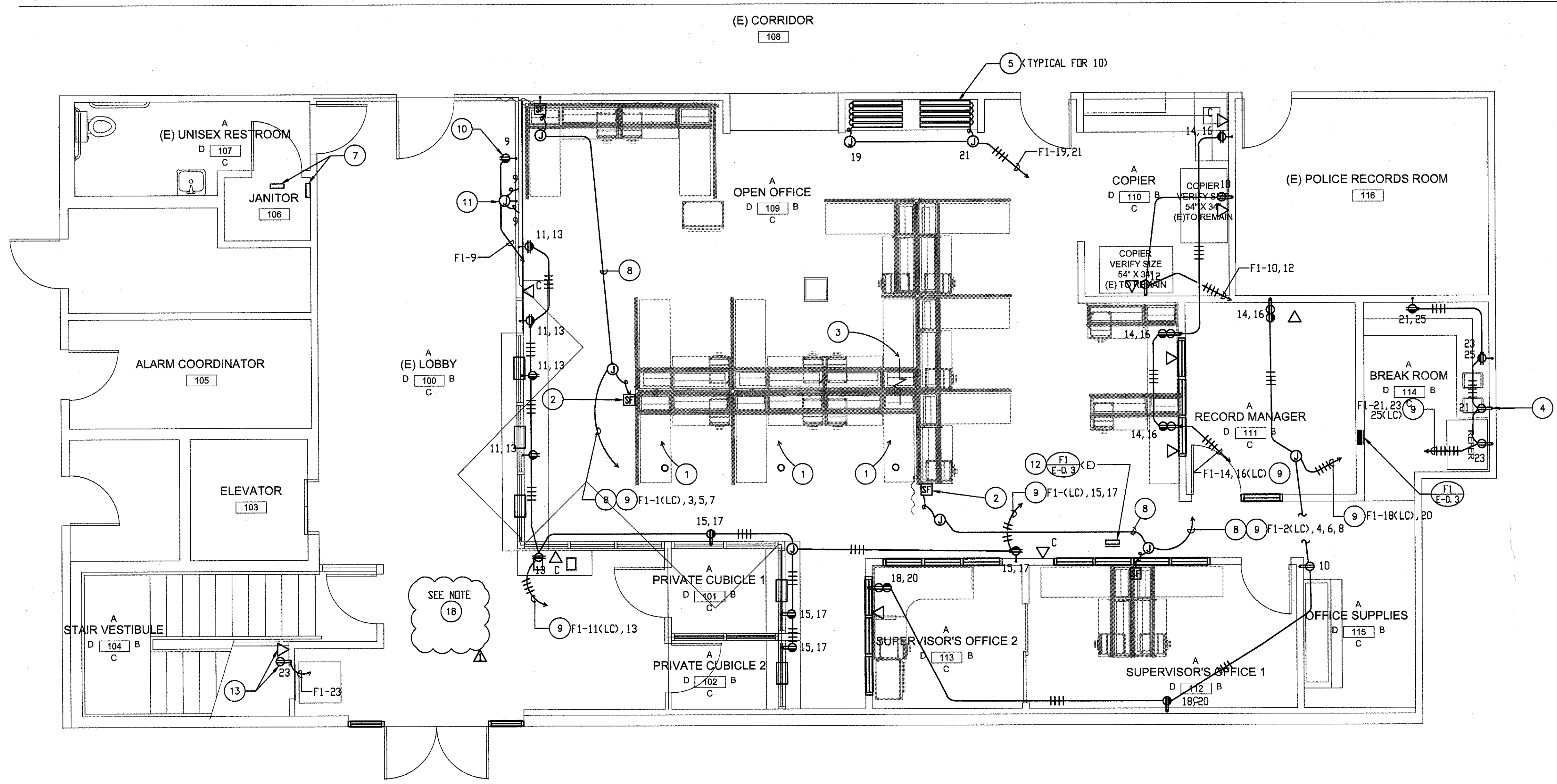
Plan Check #:
AP #:

**Interior Improvements for Records Department of
Garden Grove Police Department**
 11301 ACACIA PKWY,
 Garden Grove, CA 92840



FBA Engineering
Consulting Electrical Engineers
150 Pacific Avenue Suite A100
Costa Mesa, CA 92626
949.442.2855 x 400 / 949.442.1657 (fax)
www.fba-engineering.com
FBA Job Number: 005.070

Issue Date: 09-12-2016
MDR Ref. No.:
Scale: AS NOTED
Drawn By: FBA
Title: LIGHTING PLAN, POWER & SIGNAL PLAN
Sheet No.

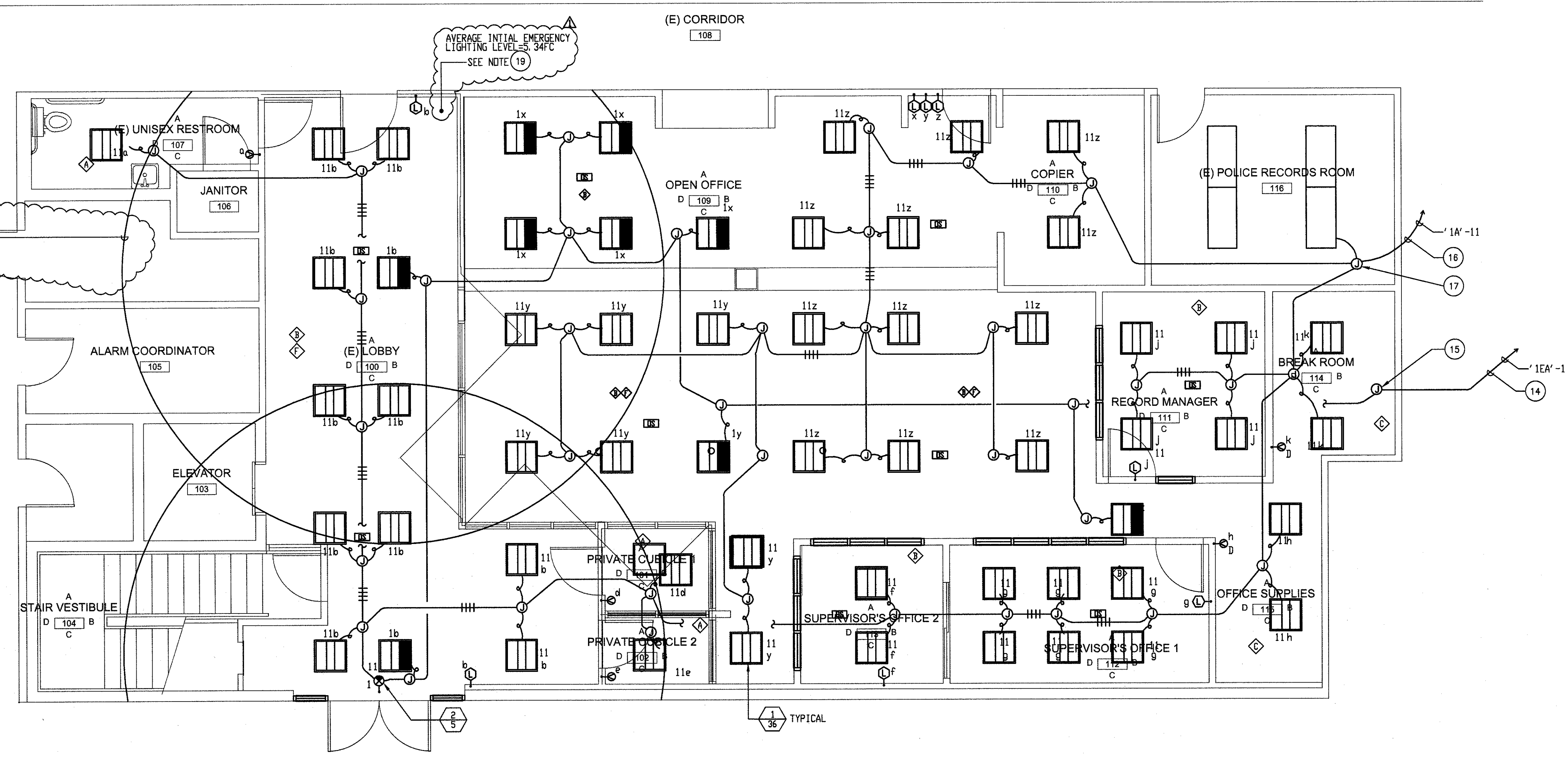


POWER & SIGNAL PLAN
SCALE: 1/4" = 1'-0"

- PLAN NOTES:**
- EXISTING FLOOR OUTLET. REMOVE EXISTING WIRING AND CABLING AND BLANK OFF OUTLET FLUSH WITH FLOOR.
 - TWO-COMPARTMENT, ALUMINUM TELE-POWER POLE FOR CONNECTION TO FURNITURE SYSTEM. LENGTH AS REQUIRED. COLOR AND FINISH AS SELECTED BY ARCHITECT, WIREMOLD #AMTC SERIES.
 - INDICATES BREAK IN SYSTEMS FURNITURE POWER RACEWAY.
 - MOUNT IN MICROWAVE SHELF. COORDINATE WORK WITH DRILLWORK CONTRACTOR.
 - PLUG MOLD, ALUMINUM, 3'-0" LONG WITH 6 OUTLETS. WIREMOLD #AL20G8306 SERIES. MOUNT AT CENTER OF EACH SHELF.
 - NOT USED.
 - RELOCATE EXISTING POOL CONTROLLER TO CLEAR OPENING FOR NEW DOOR. EXTEND WIRING AS REQUIRED.
 - 1" C. -4#12(3PHASE), 2#10(NEUTRAL), #12 COMMON EQUIPMENT GROUND AND #12 ISOLATED GROUND (COMPUTER CIRCUITS).
 - CONNECT CIRCUIT INDICATED "LC" TO PANEL VIA RELAY PACK CONTROLLED BY ROOM OCCUPANCY SENSOR. SEE DETAIL 3/E-04.
 - REPLACE EXISTING RECEPTACLE WITH NEW DEVICE AND CONNECT AS SHOWN.
 - PROVIDE CONNECTIONS TO EXISTING DRINKING FOUNTAINS.
 - EXISTING LOAD CENTER TO BE REMOVED.
 - FOR ATM. COORDINATE LOCATION AND REQUIREMENTS WITH ATM PROVIDER.
 - EXISTING CONDUIT WITH EXISTING WIRES TO CIRCUIT #1 AT EXISTING PANEL '1EA' LOCATED IN EXISTING ELECTRICAL EQUIPMENT ROOM #96.
 - NEW JUNCTION BOX. INTERCEPT EXISTING CONDUIT AND TAP EXISTING CIRCUIT '1EA'-1 FOR USE IN THIS AREA AS SHOWN.
 - EXISTING HOMERUN FOR CIRCUIT #11 AT EXISTING PANEL '1A' LOCATED IN EXISTING ELECTRICAL EQUIPMENT ROOM #96.
 - EXISTING JUNCTION BOX. TAP EXISTING CIRCUIT '1A'-11 FOR USE IN THIS AREA AS SHOWN.
 - ON THE 2ND FLOOR, ADD A DUPLEX RECEPTACLE AT SERVICE WINDOW FOR MICROPHONE. CONNECT RECEPTACLE TO NEAREST EXISTING OUTLET. VERIFY EXACT LOCATION WITH OWNER.
 - AVERAGE INITIAL FOOTCANDLE FOR EMERGENCY LIGHTING:
$$\frac{2 \times 1400 \text{ LUMENS}}{524 \text{ SQ. FT.}} = 5.34\text{FC}$$
 - CALCULATION FOR 1SD-FOOTCANDLE CURVE FOR EMERGENCY LIGHTING (SEE LIGHT FIXTURE PHOTOMETRIC BELOW)
$$\text{FOOTCANDLE IN CIRCLE} = \frac{(\text{MOUNTING HEIGHT TEST})^2 \times \text{LUMEN WITH BATTERY}}{(\text{REAL MOUNTING HEIGHT})^2 \times \text{TEST LUMEN}}$$

$$0.1 \times \frac{20^2 \times 1400}{9^2 \times 2000} = 0.35\text{FC}$$

- GENERAL NOTES:**
- UNLESS OTHERWISE NOTED ALL CONDUIT SHALL BE 3/4" C. -#812 & #12 G.
 - PRIOR TO BID, ELECTRICAL CONTRACTOR SHALL FIELD VERIFY ACCURACY OF EXISTING CIRCUITS, JUNCTION BOXES AND PANELBOARD SHOWN.
 - UPDATE EXISTING PANELBOARD DIRECTIONS WITH NEW LOADS AND AREAS SERVED.



LIGHTING PLAN
SCALE: 1/4" = 1'-0"

