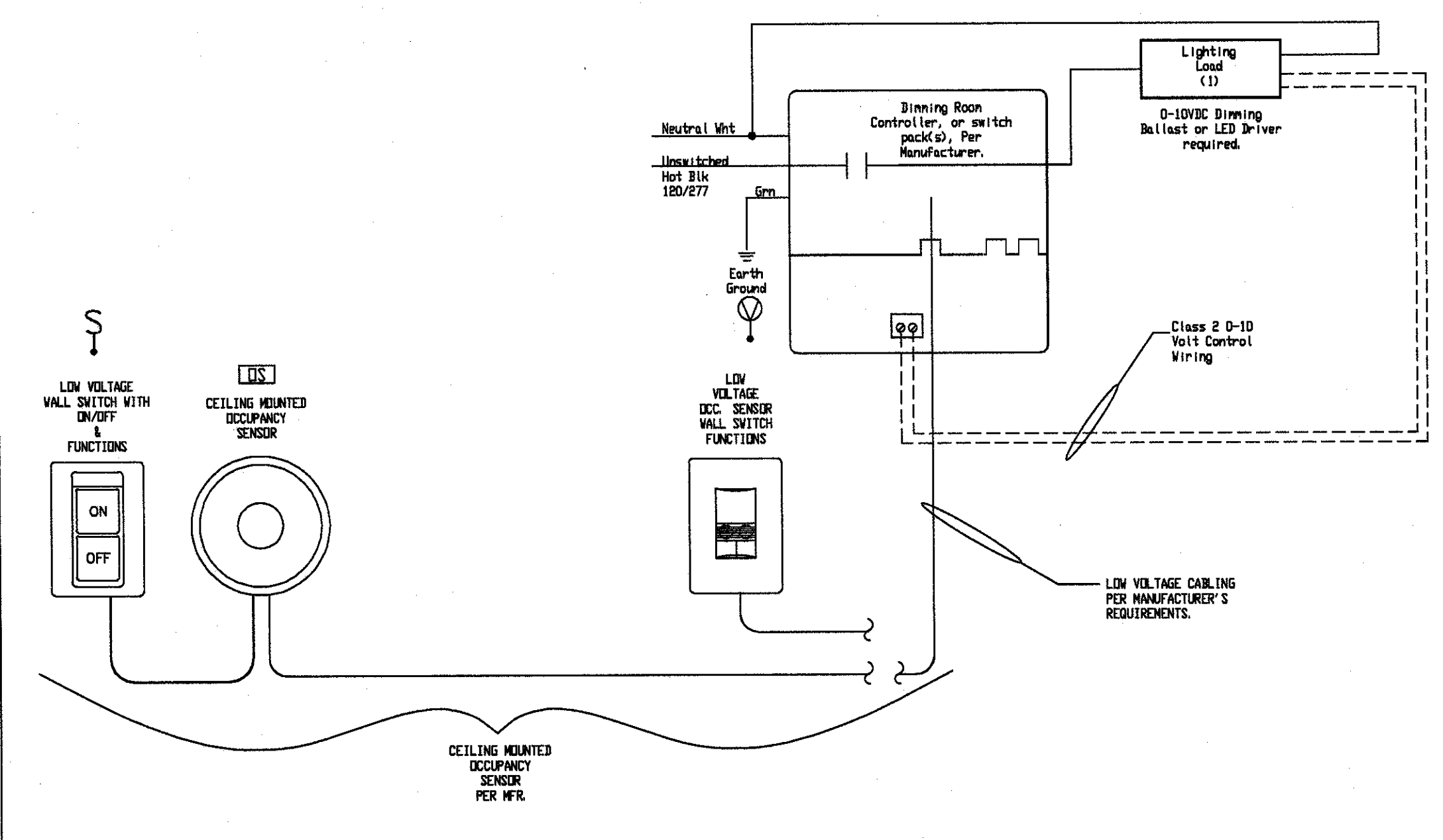
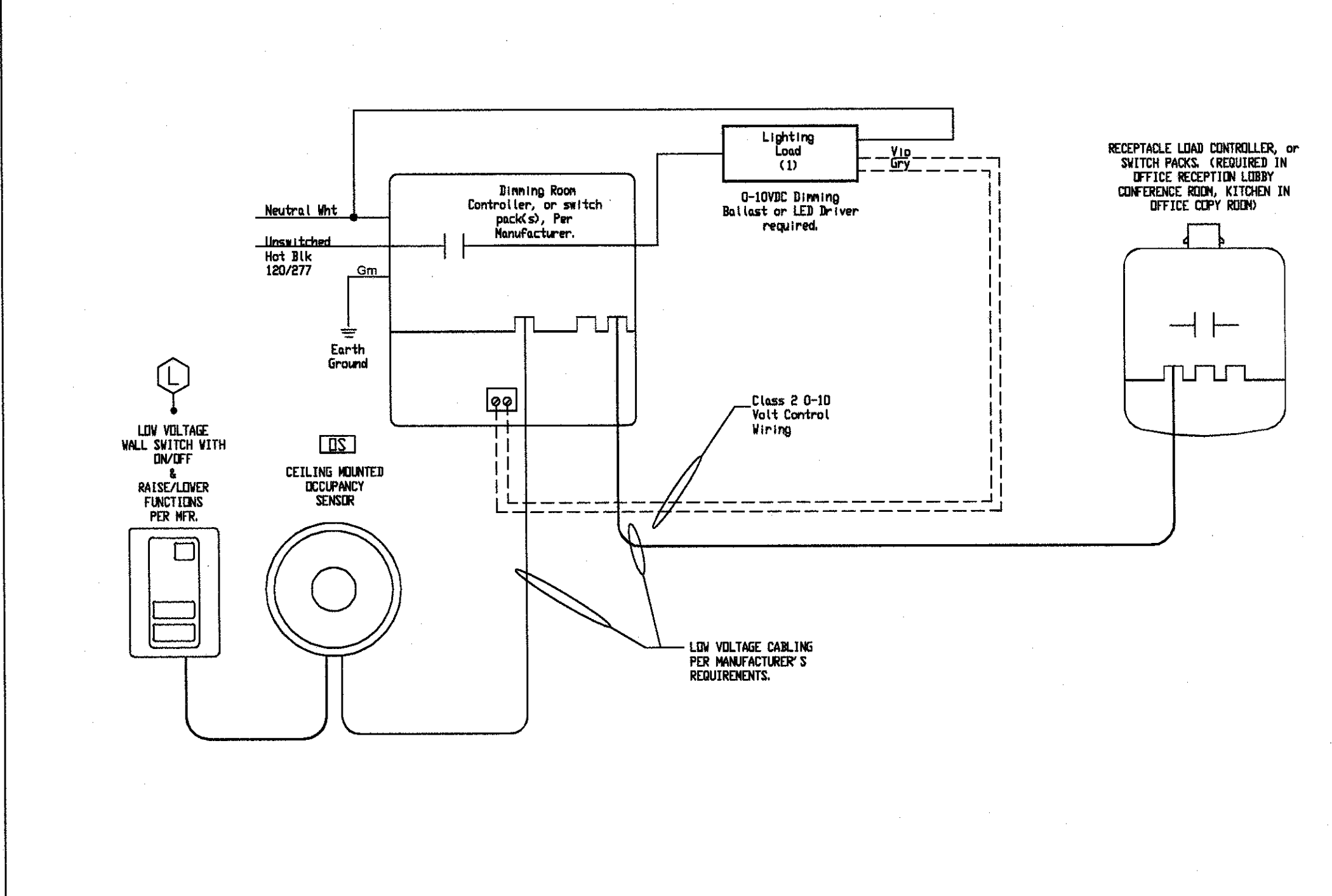


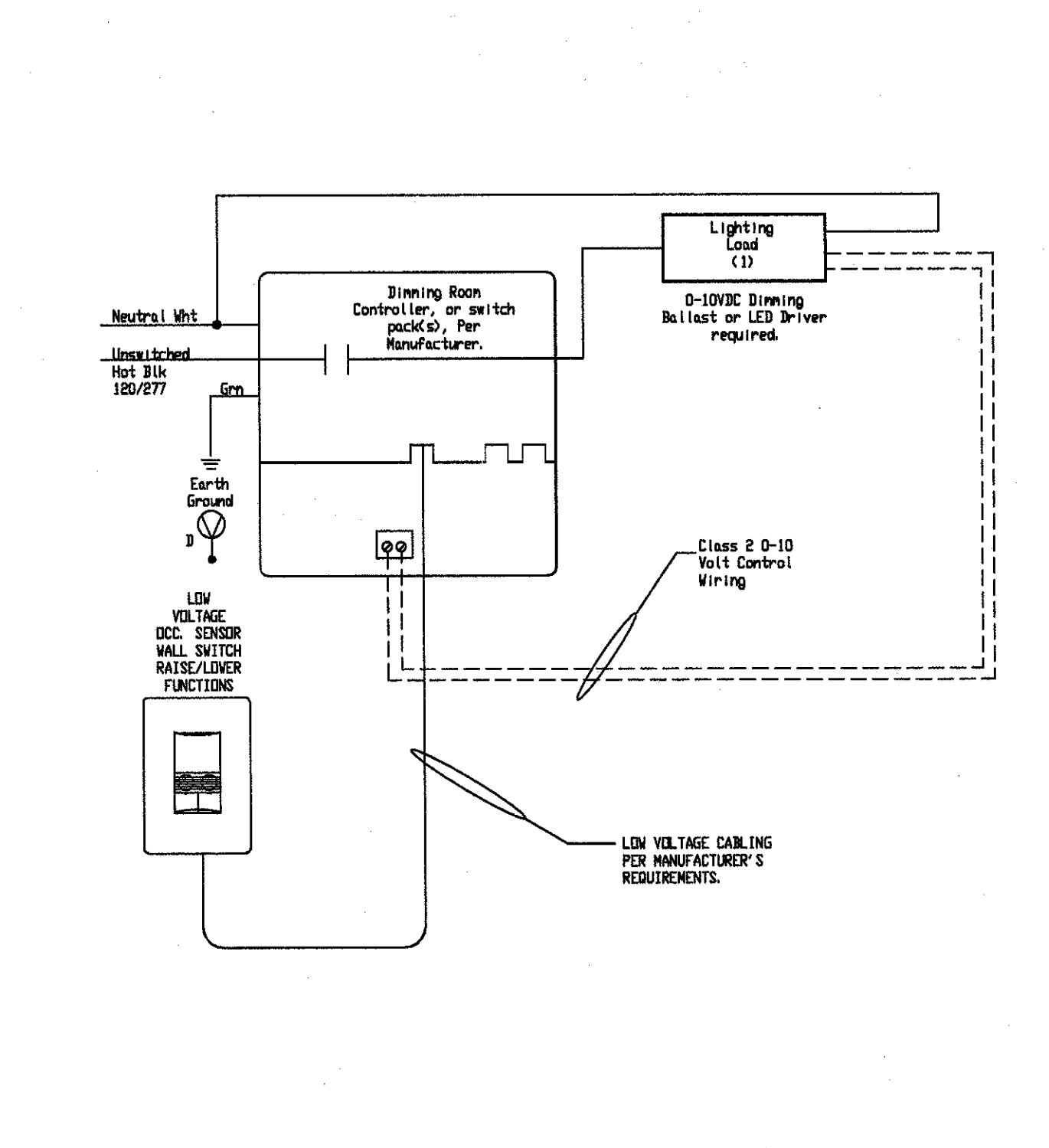
A NO DIMMING
NON-HABITABLE SPACE
LESS THAN 100sf OR LESS THAN 0.5w/sp. ft
SINGLE ZONE
NO DAYLIGHTING
WALL SWITCH/OCC SENSOR OR CEILING MOUNTED OCC SENSOR



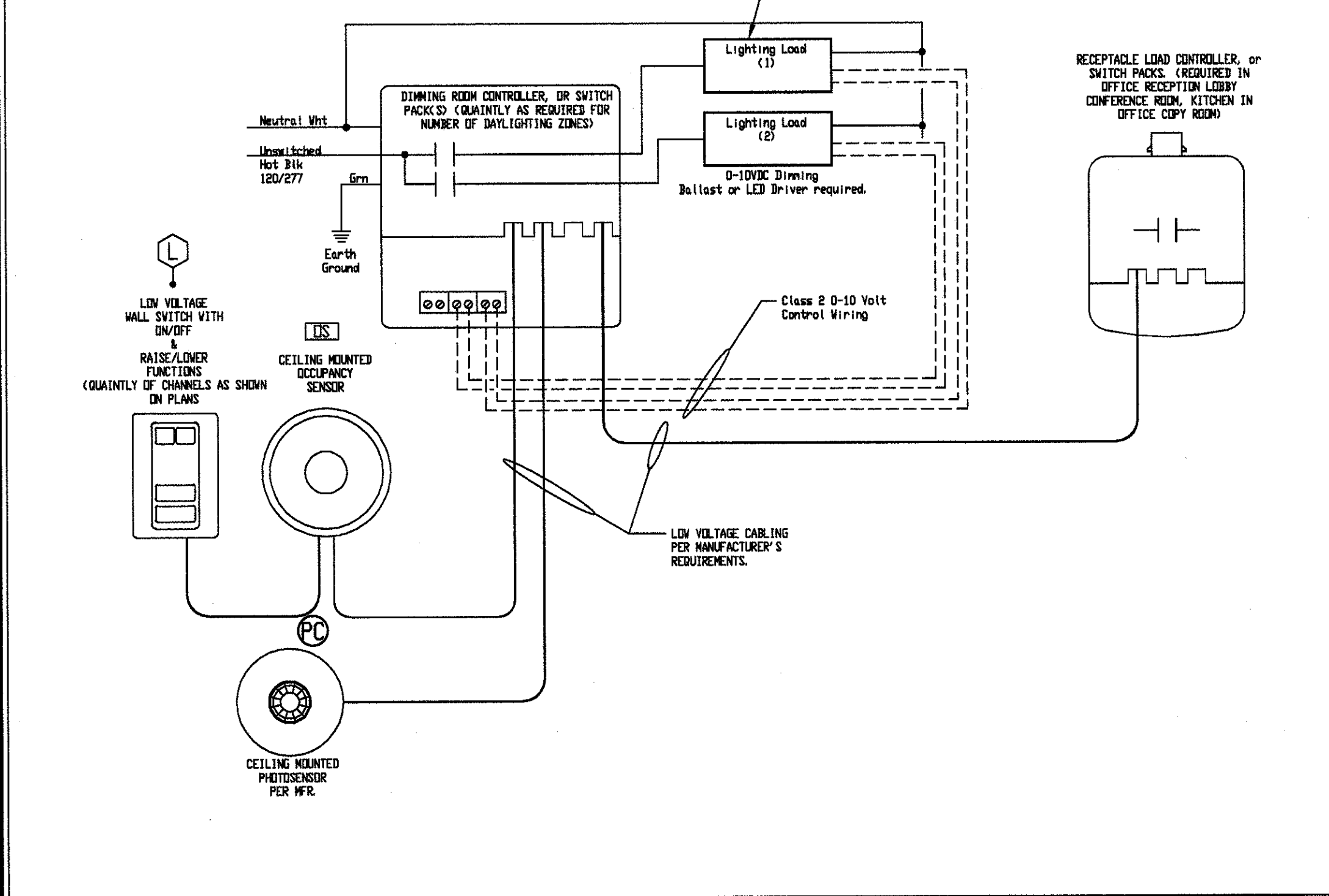
B DIMMING
NO DAYLIGHTING
SINGLE ZONE
CEILING MOUNTED OCC SENSOR



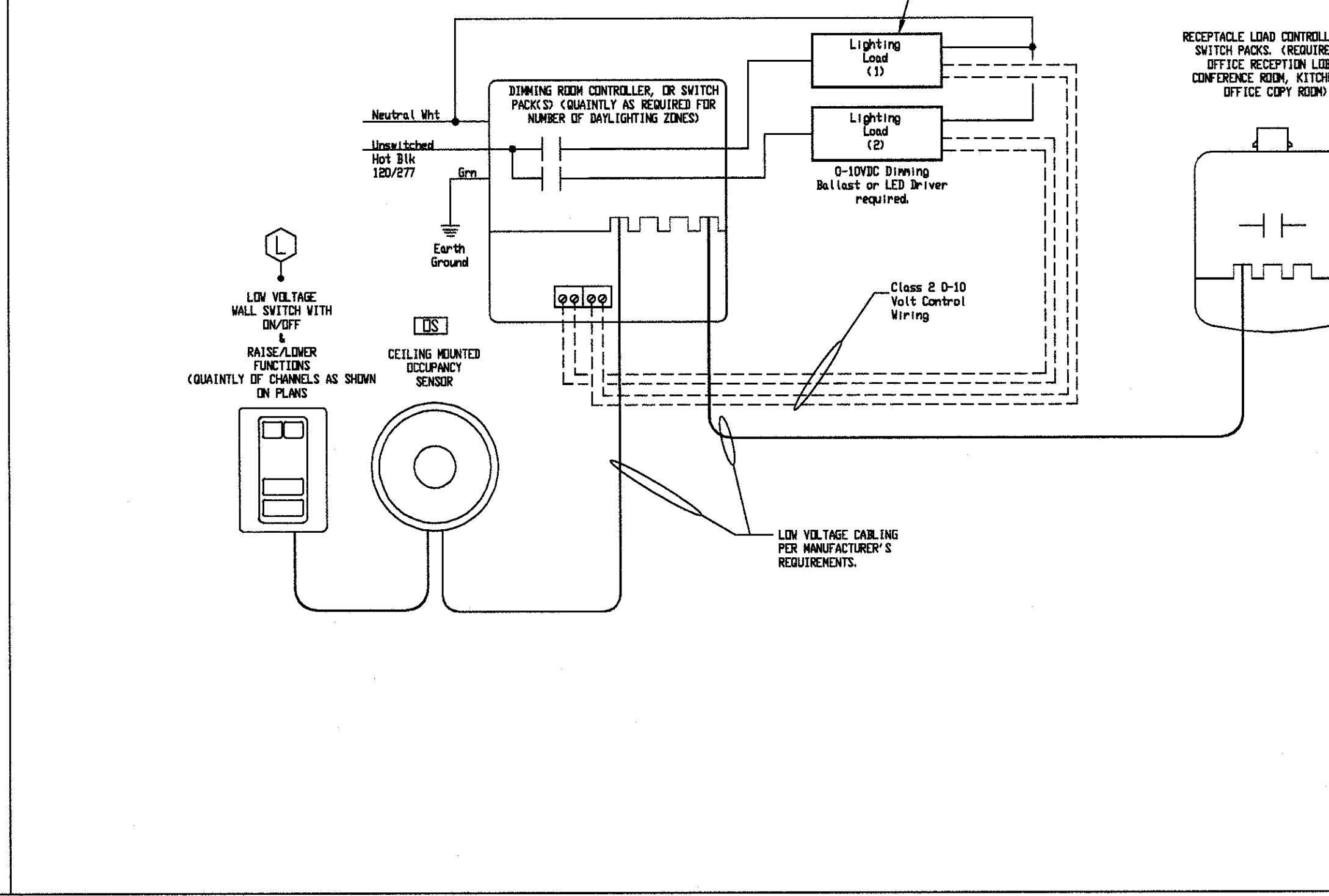
C DIMMING
NO DAYLIGHTING (LESS 120 WATTS IN DAYLIGHT ZONE)
WALL SWITCH /OCC SENSOR



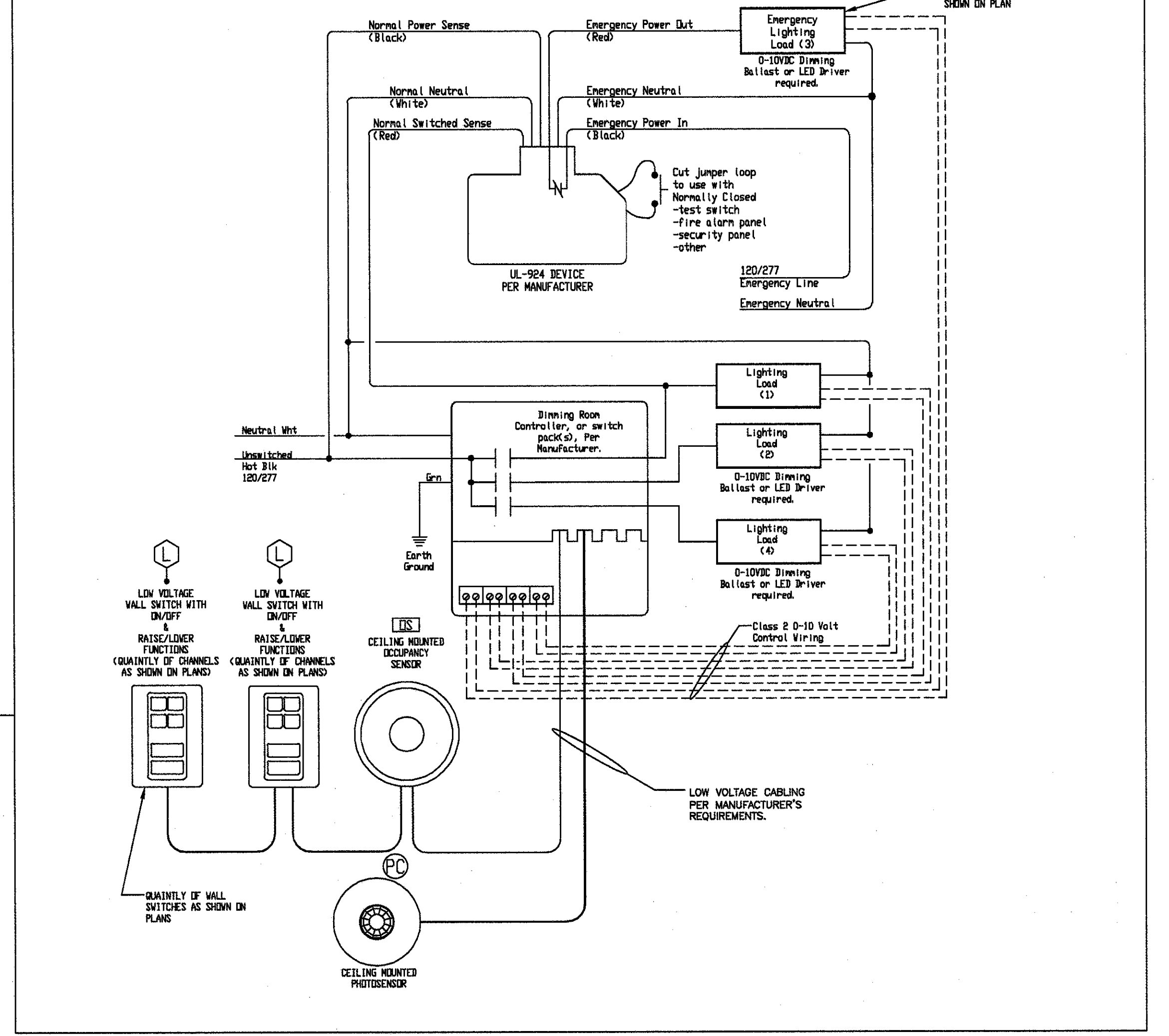
D DIMMING
DAYLIGHTING
MULTI-ZONE



E DIMMING
DAYLIGHTING
MULTI-ZONE



F DIMMING
MULTI-ZONE
DAYLIGHTING (WHERE SHOWN ON PLANS)
EMERGENCY LIGHTING (WHERE SHOWN ON PLANS)



EXAMPLE NETWORKED LIGHTING CONTROL SCHEMATIC DIAGRAMS
SCALE: N.T.S.

Revisions

10-20-16	

Plan Check #:
AP #:

Interior Improvements for Records Department of
Garden Grove Police Department
11301 ACACIA PKWY,
Garden Grove, CA 92840

Consultants

FBA Engineering
Consulting Electrical Engineers
155 Pasadena Avenue Suite A120
Costa Mesa, CA 92626
949.442.2000 • 949.442.1857 (fax)
www.fba.com FBA Job Number: 255.070

Issue Date: 09-12-2016
MDR Ref. No.:
Scale: NONE
Drawn By: FBA
Title:
LIGHTING CONTROL DIAGRAMS