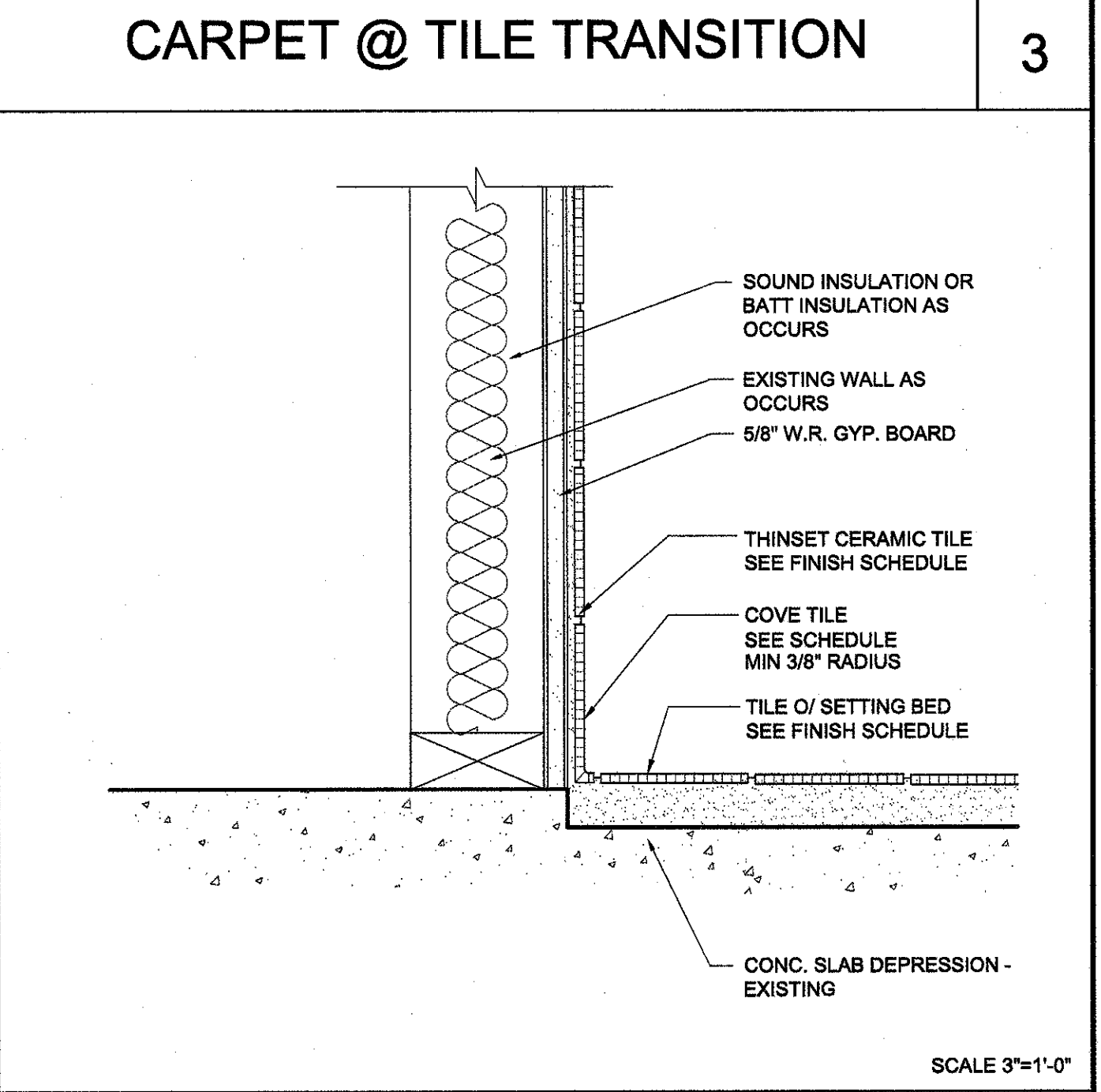
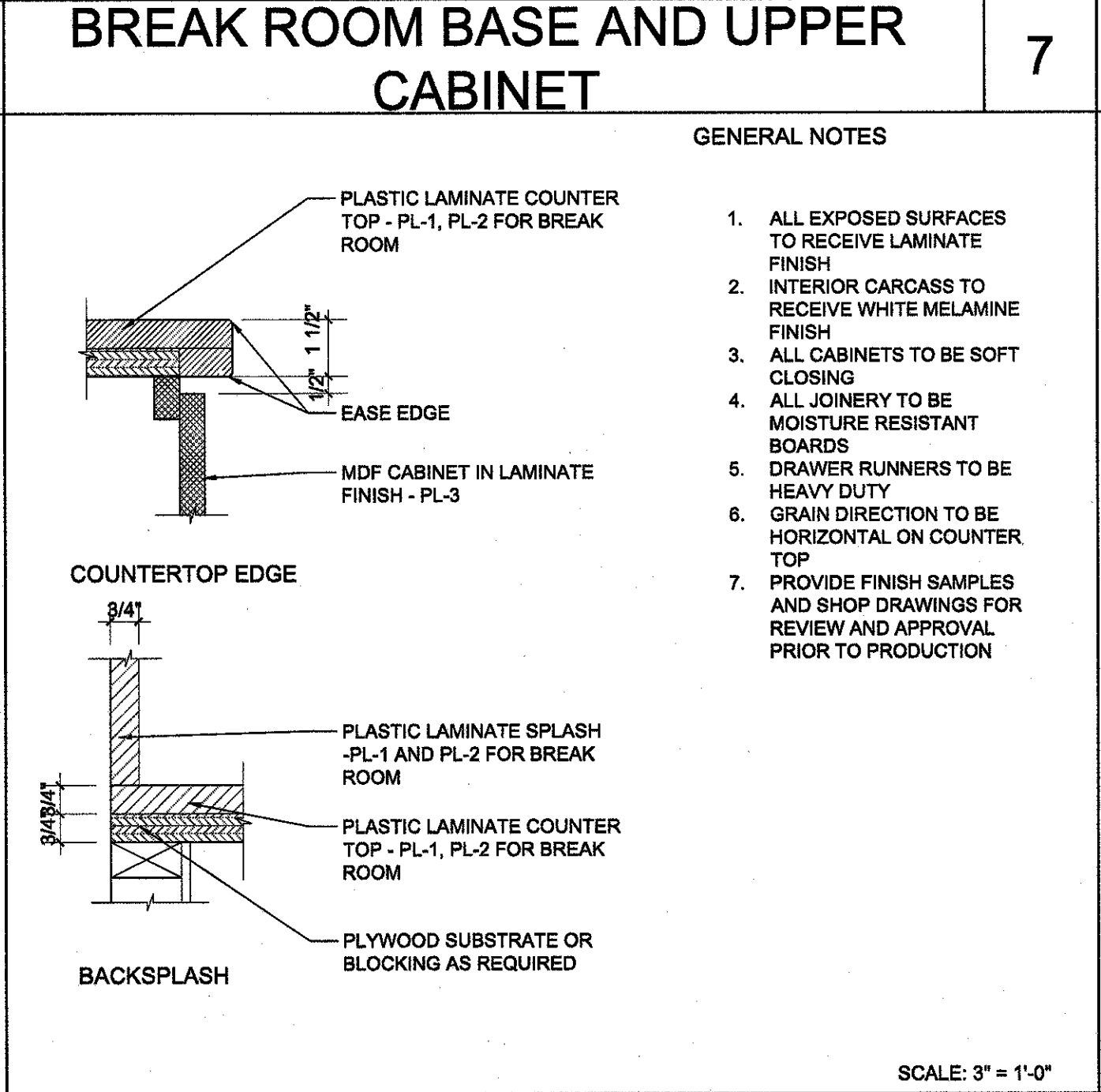
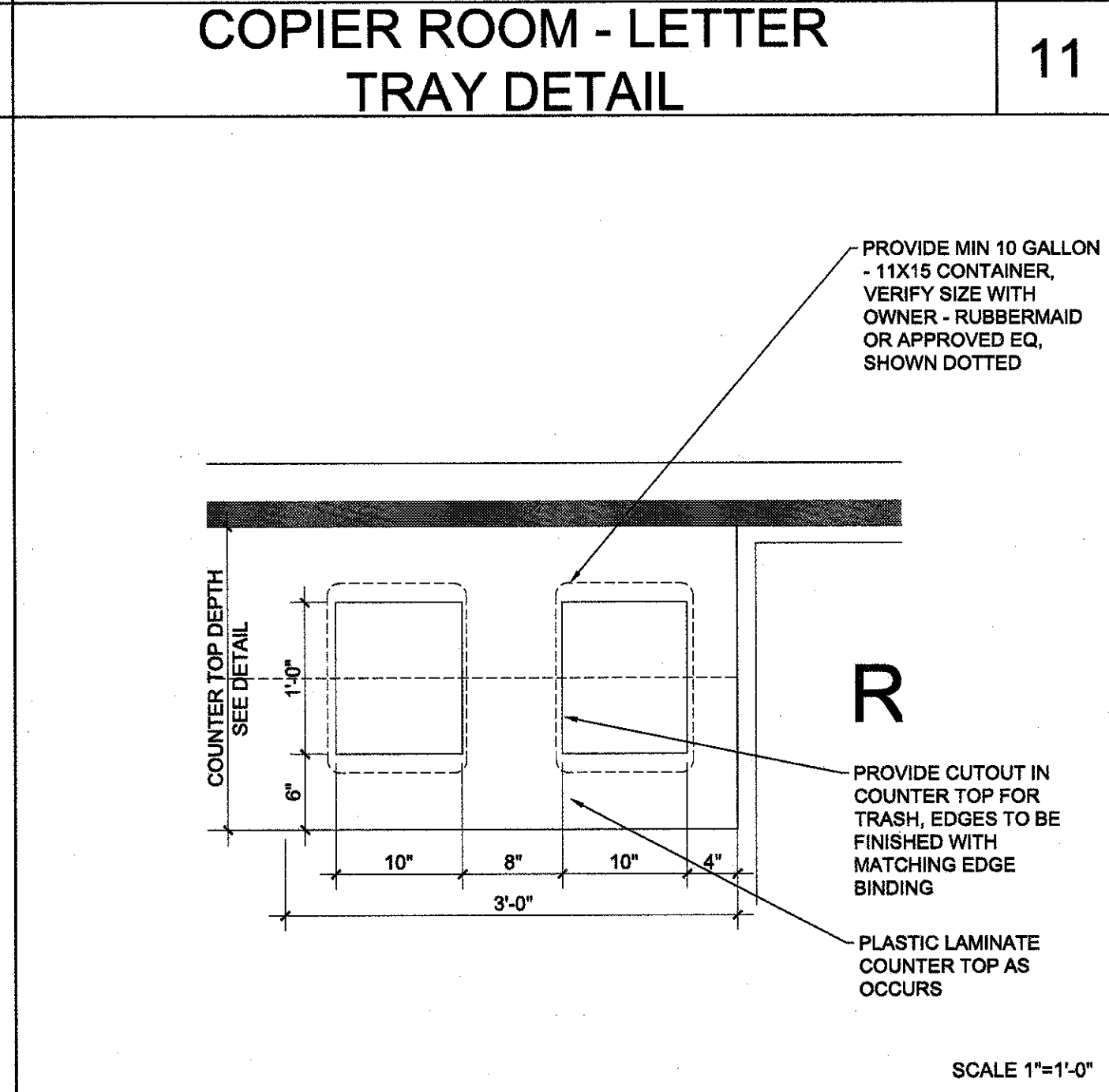
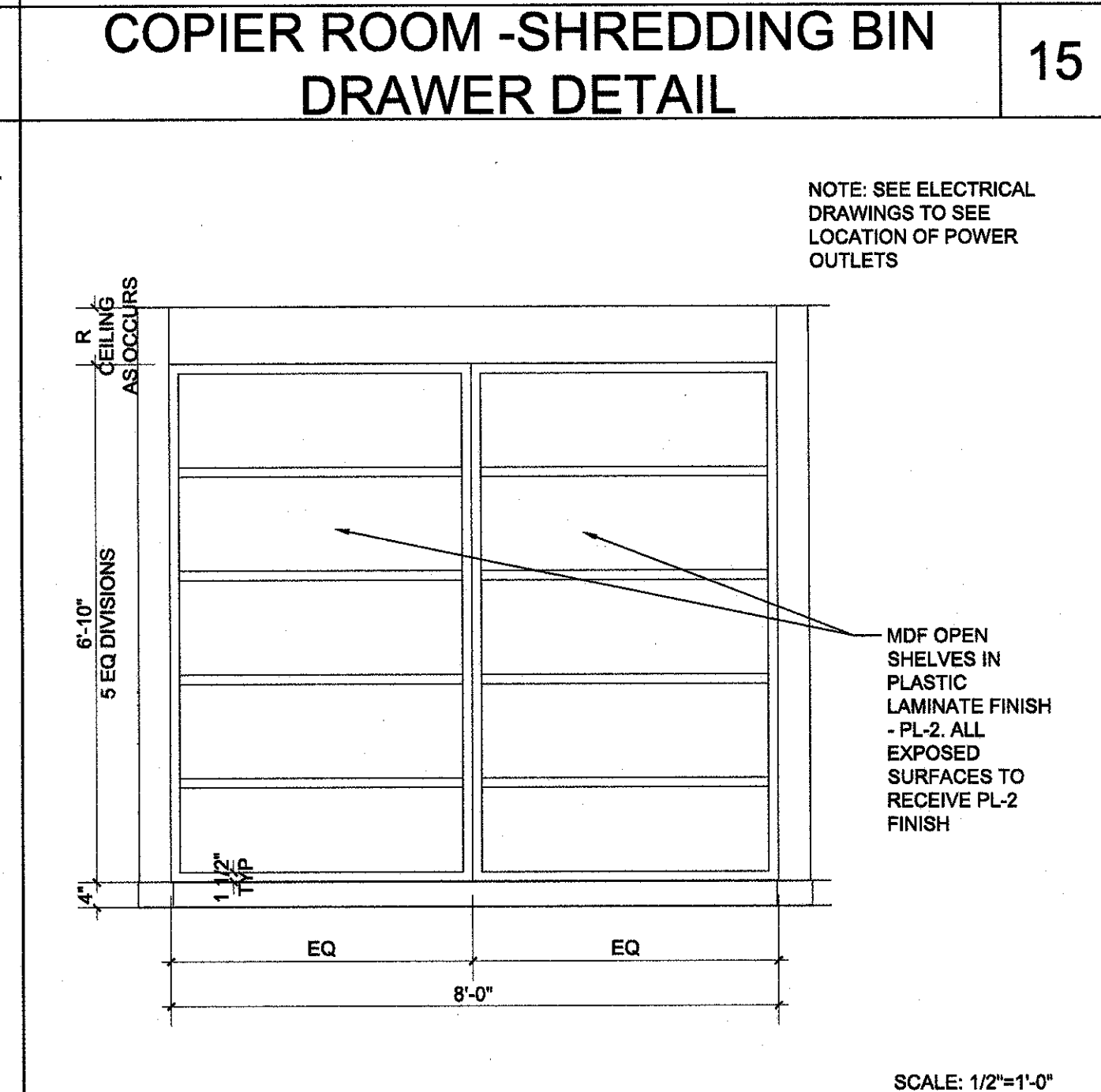
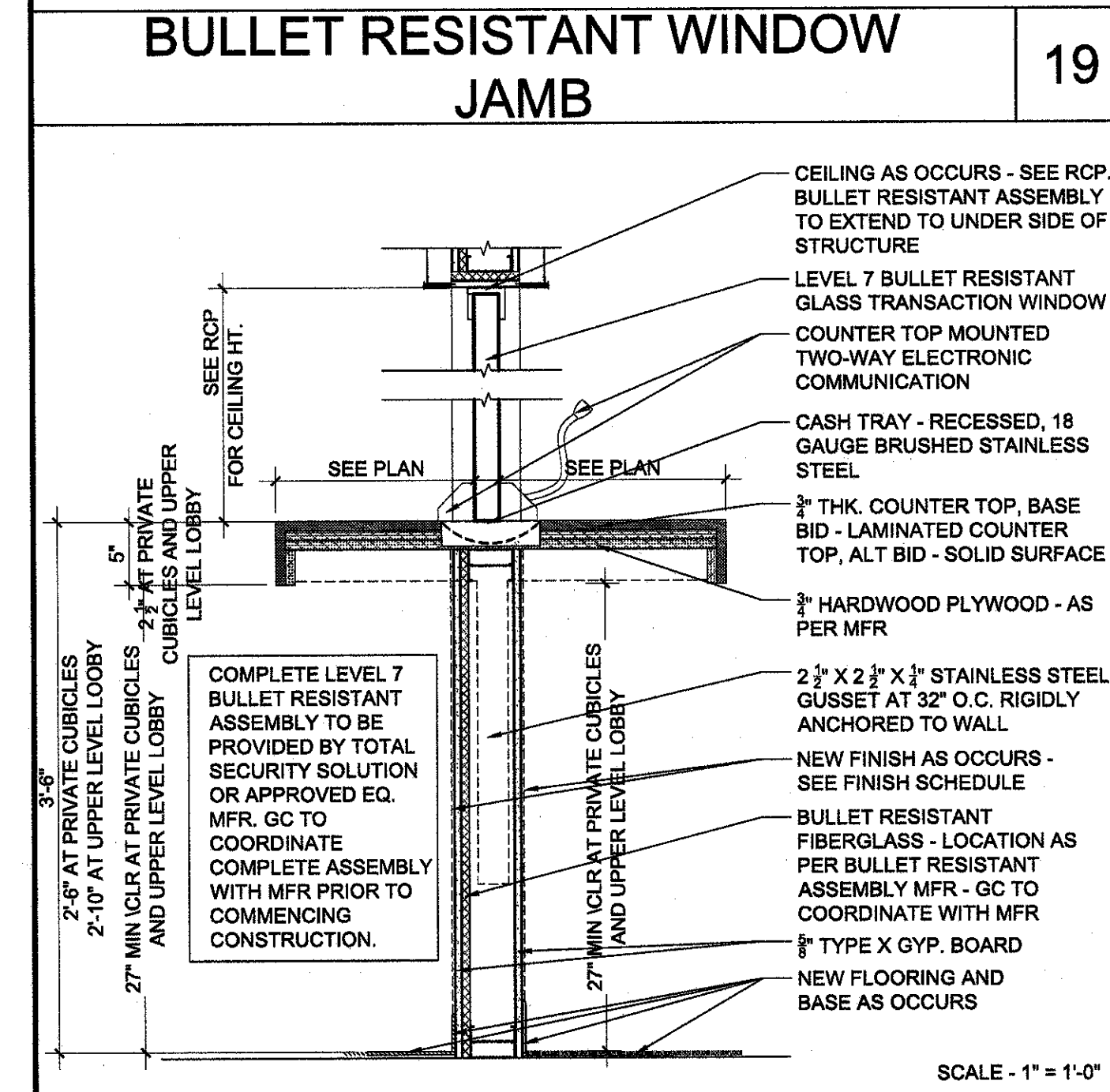
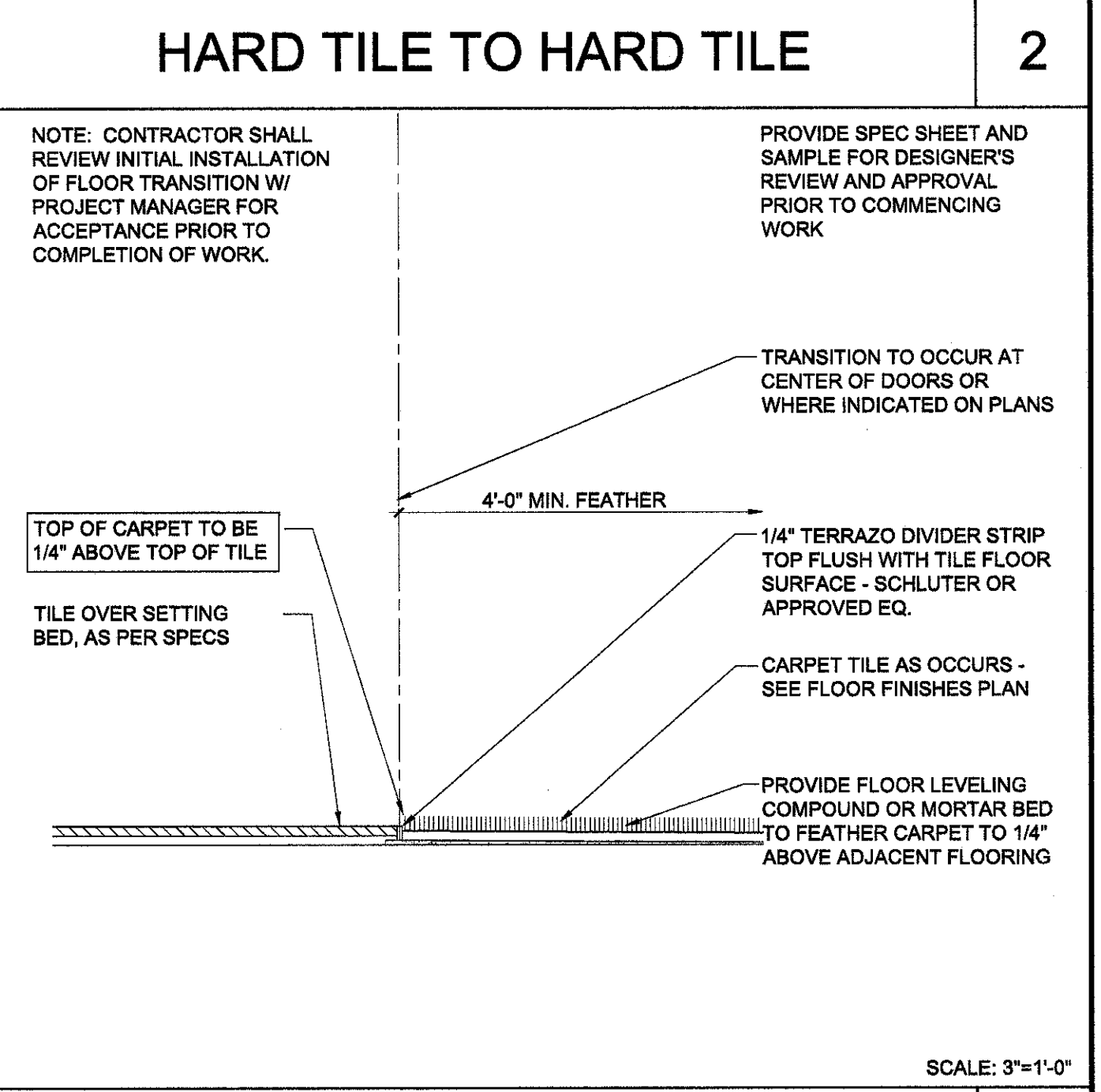
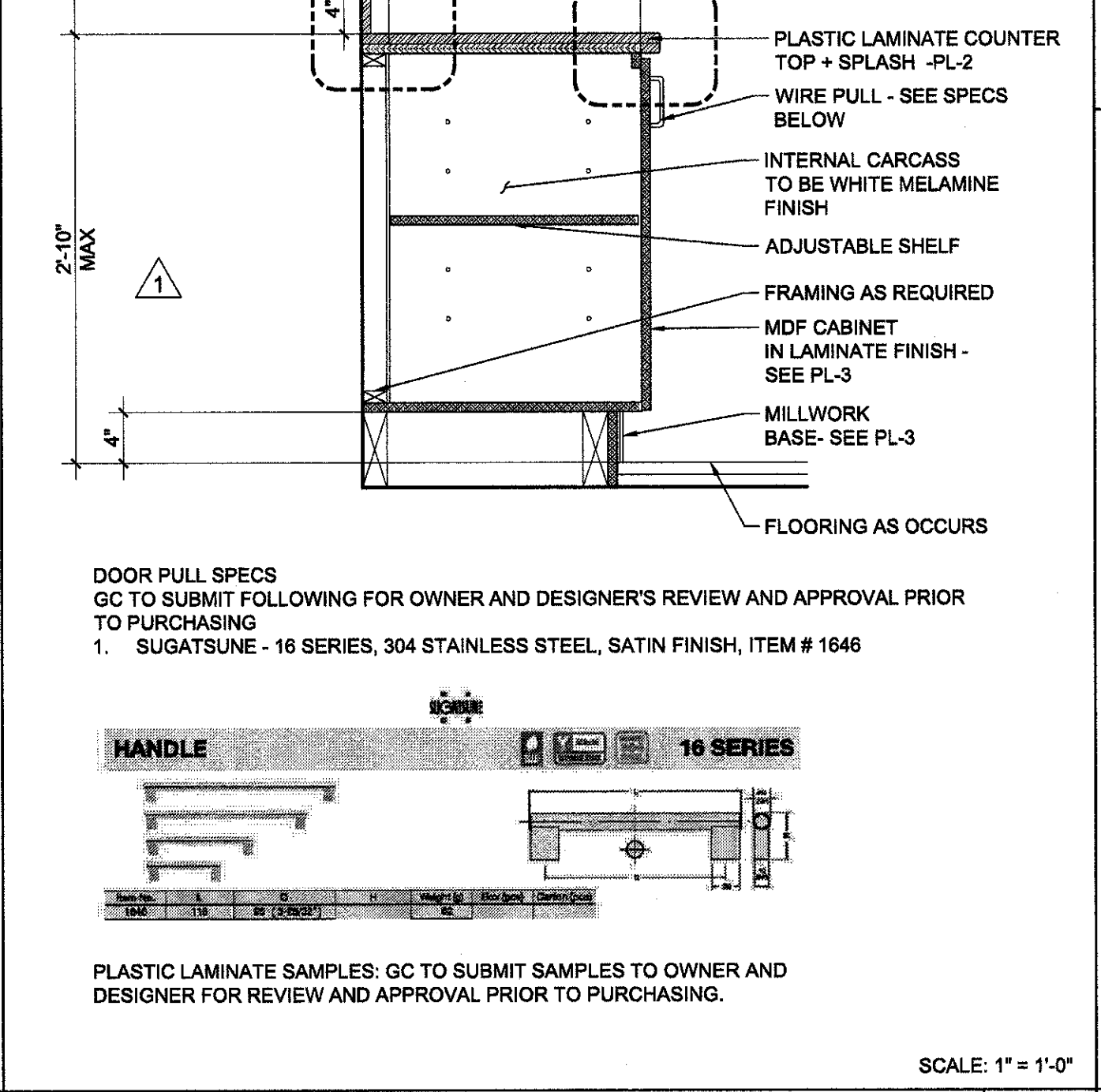
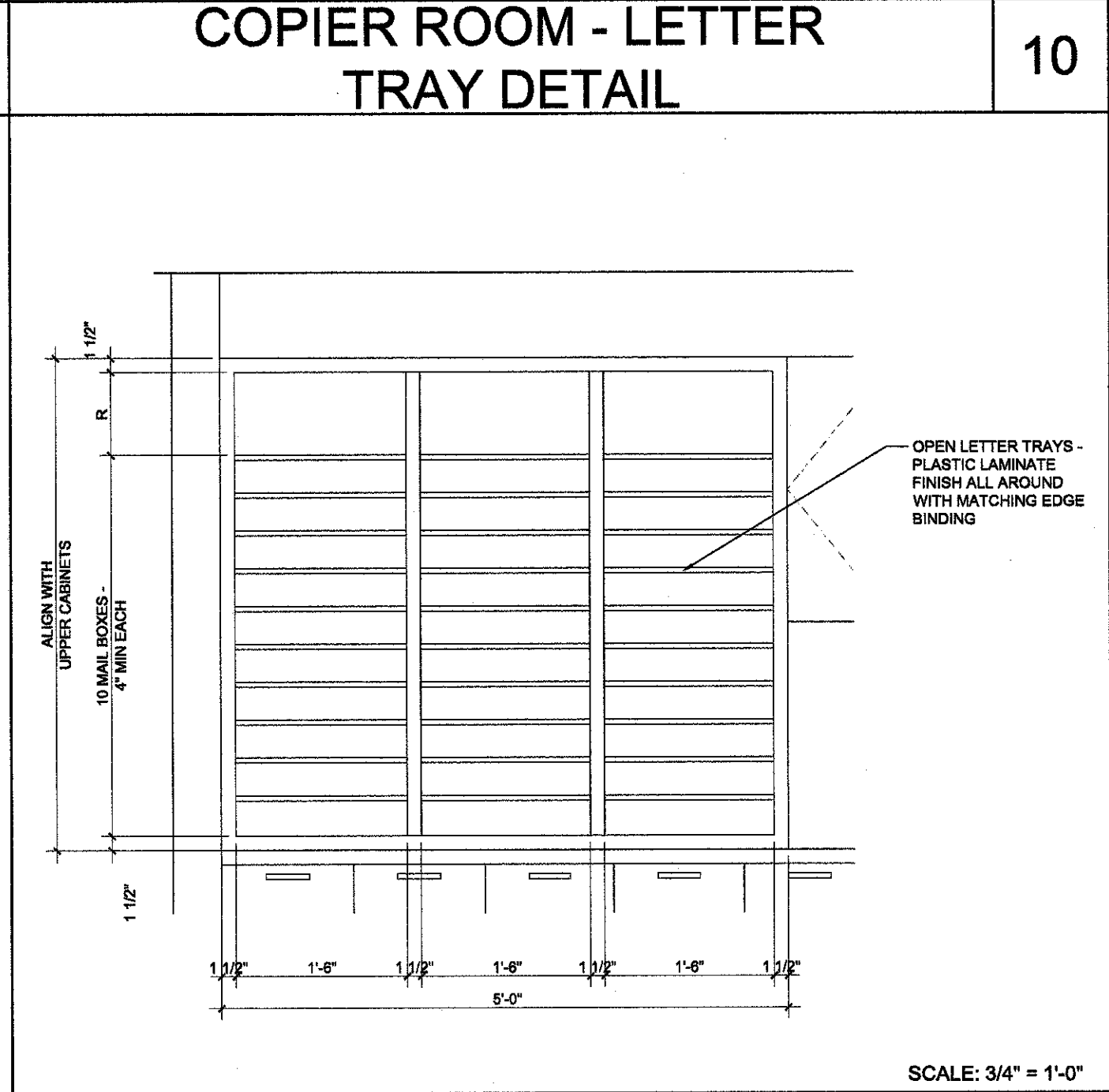
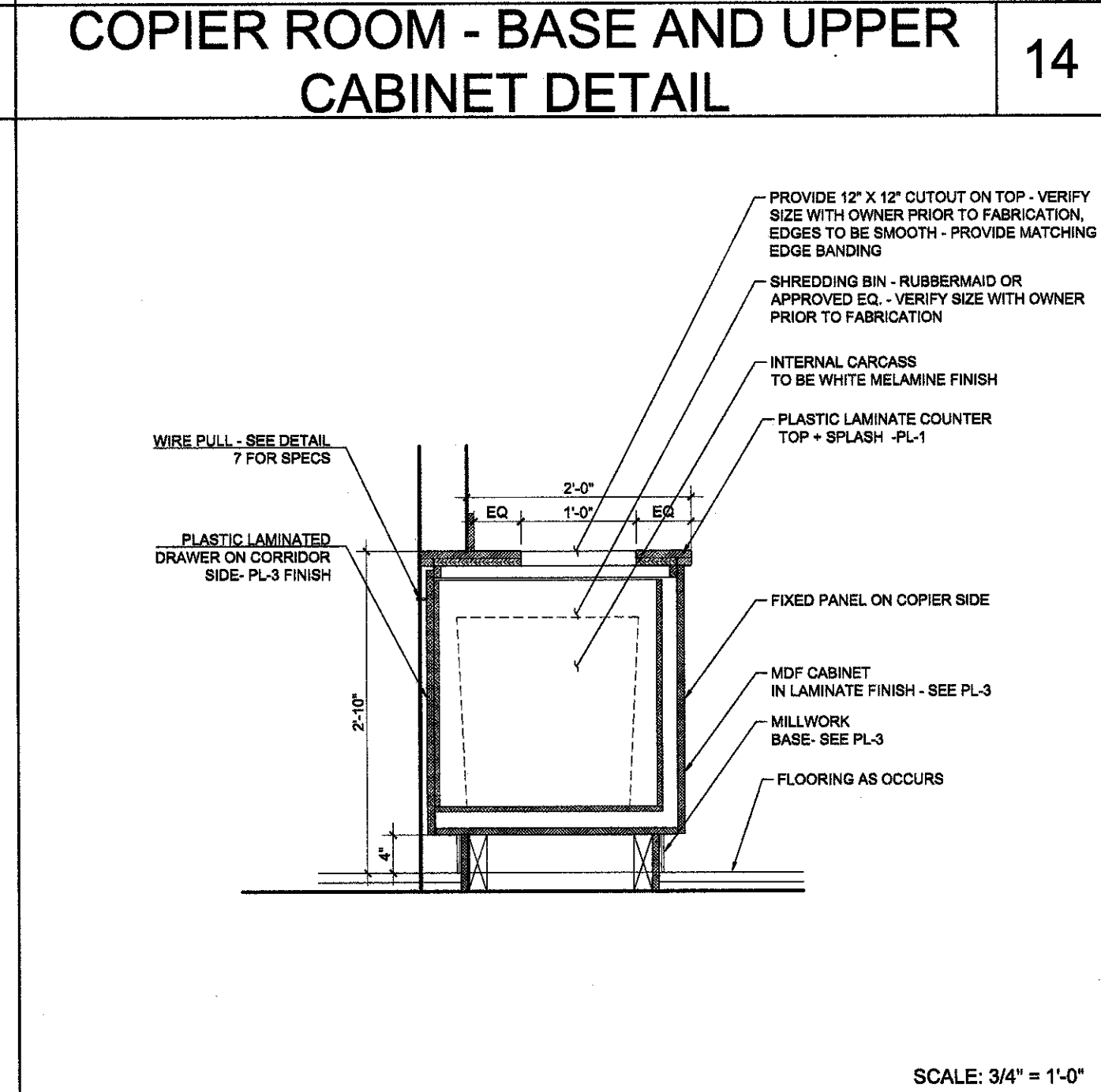
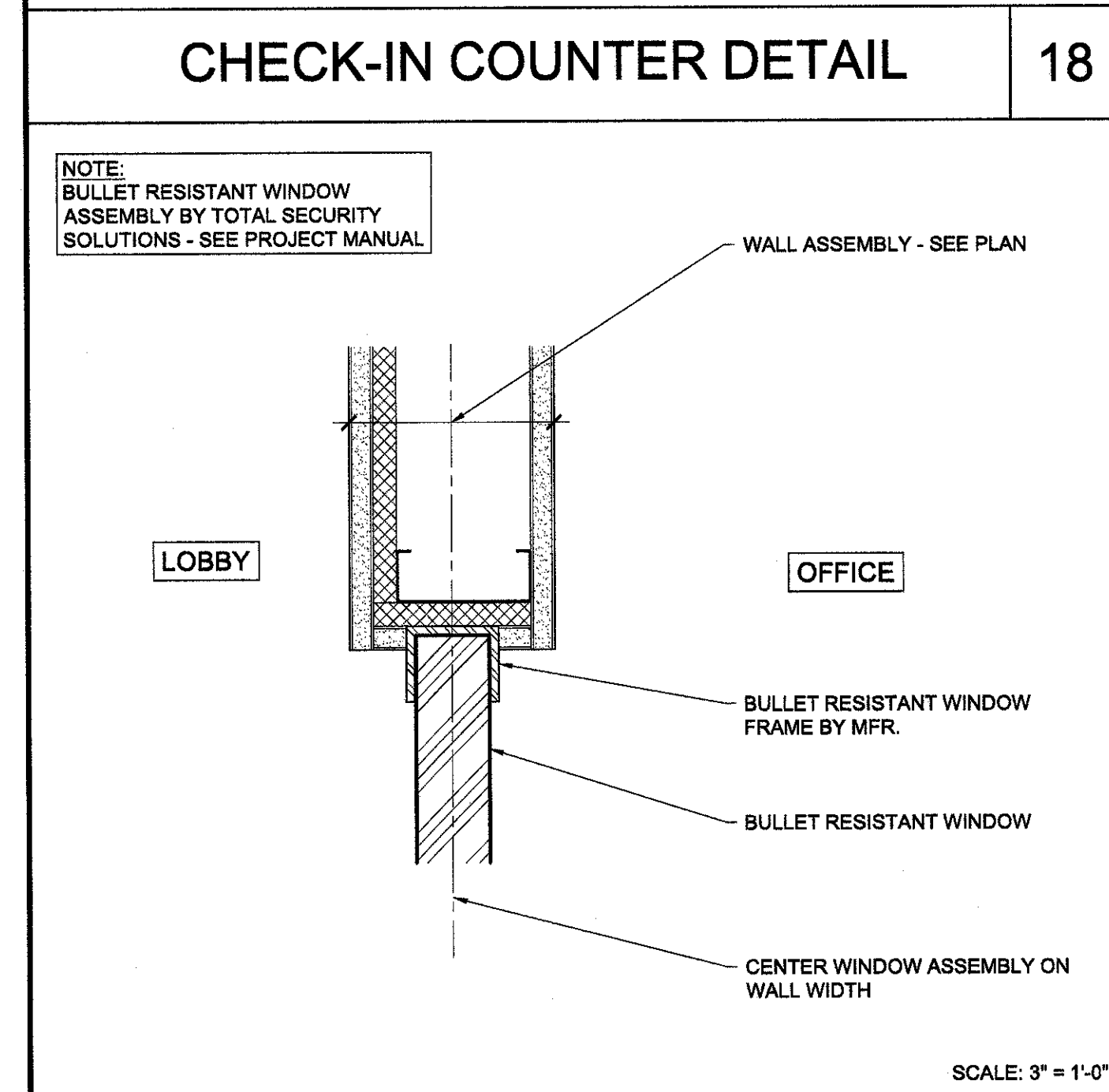
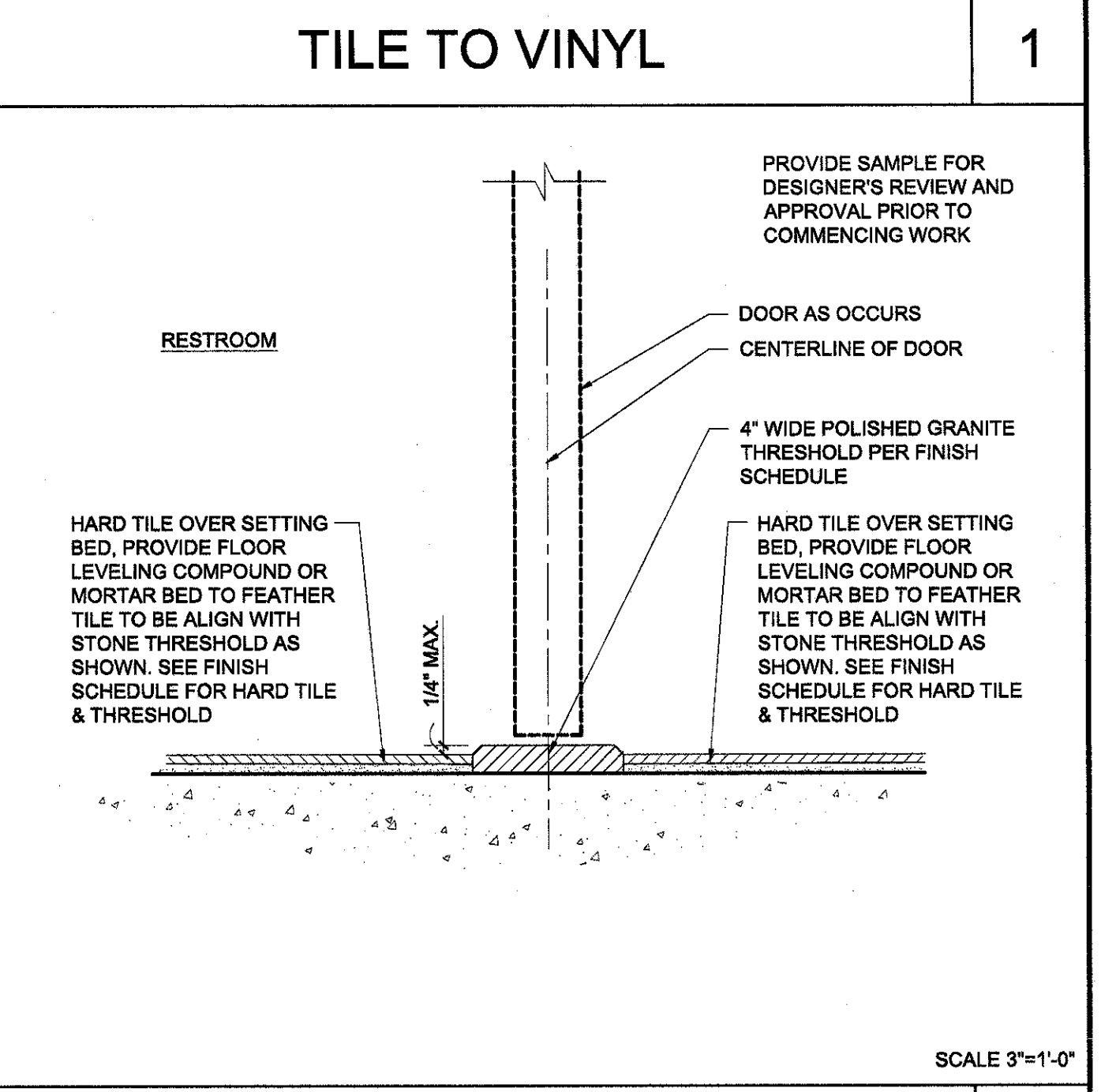
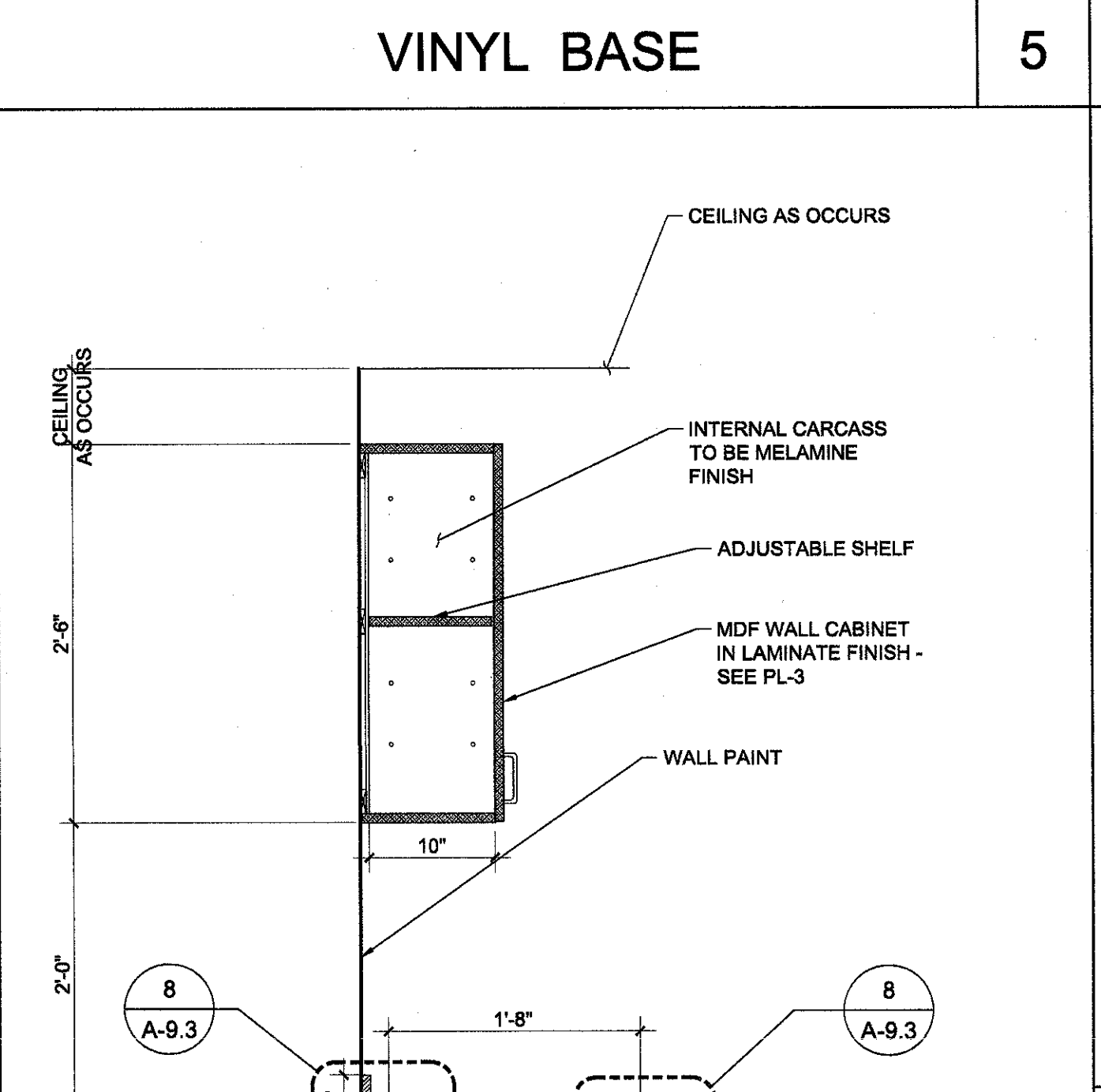
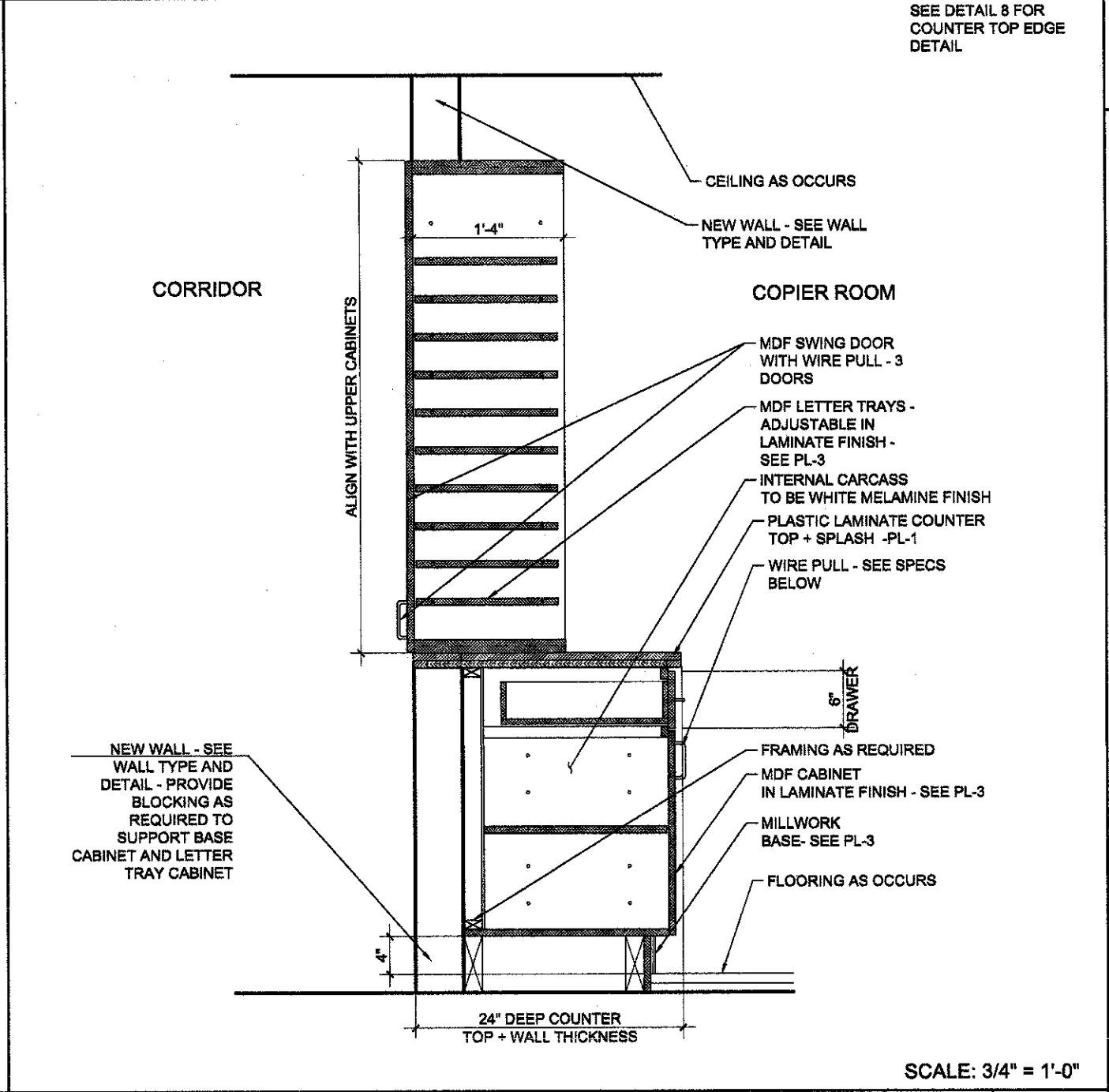
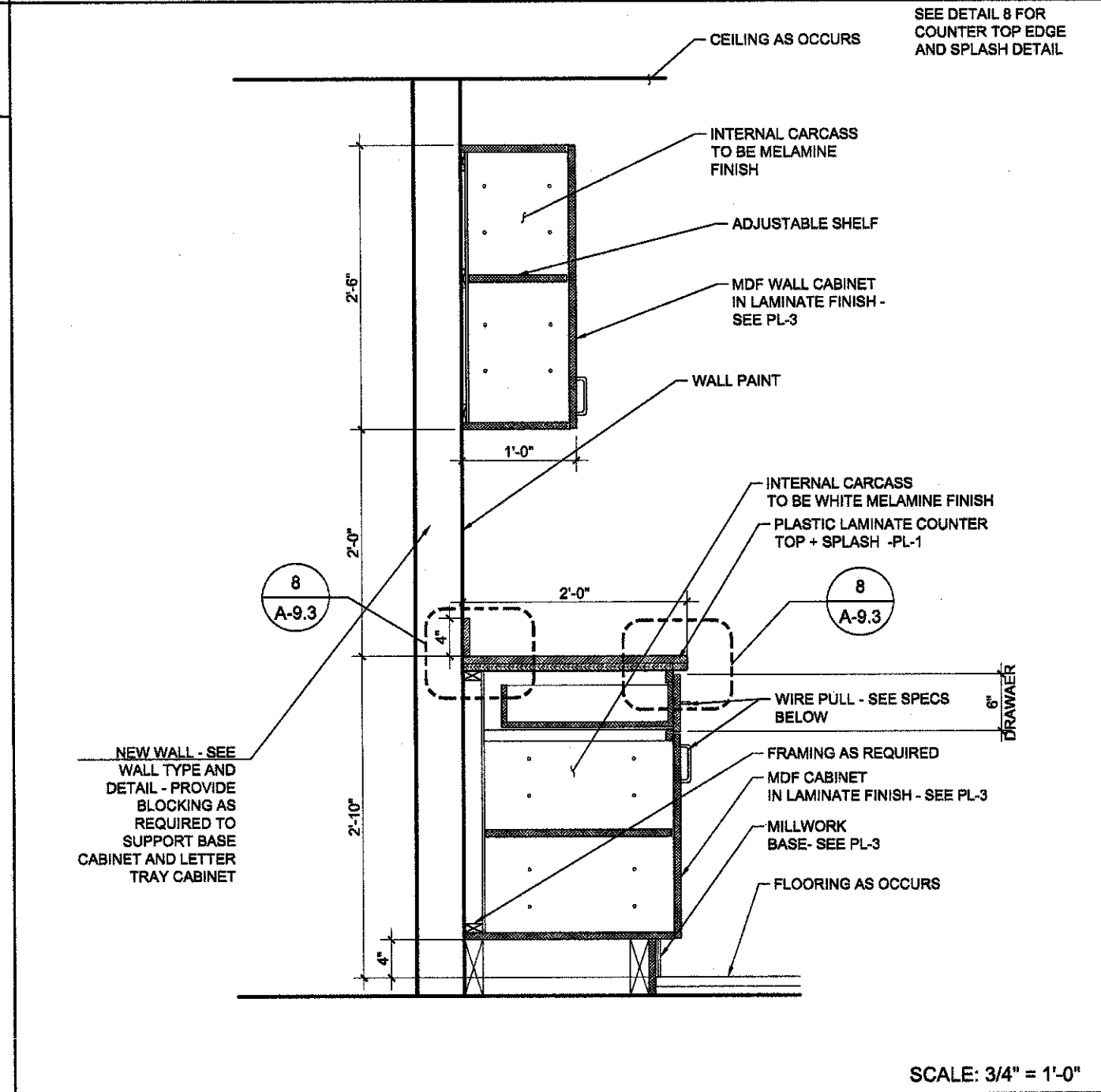
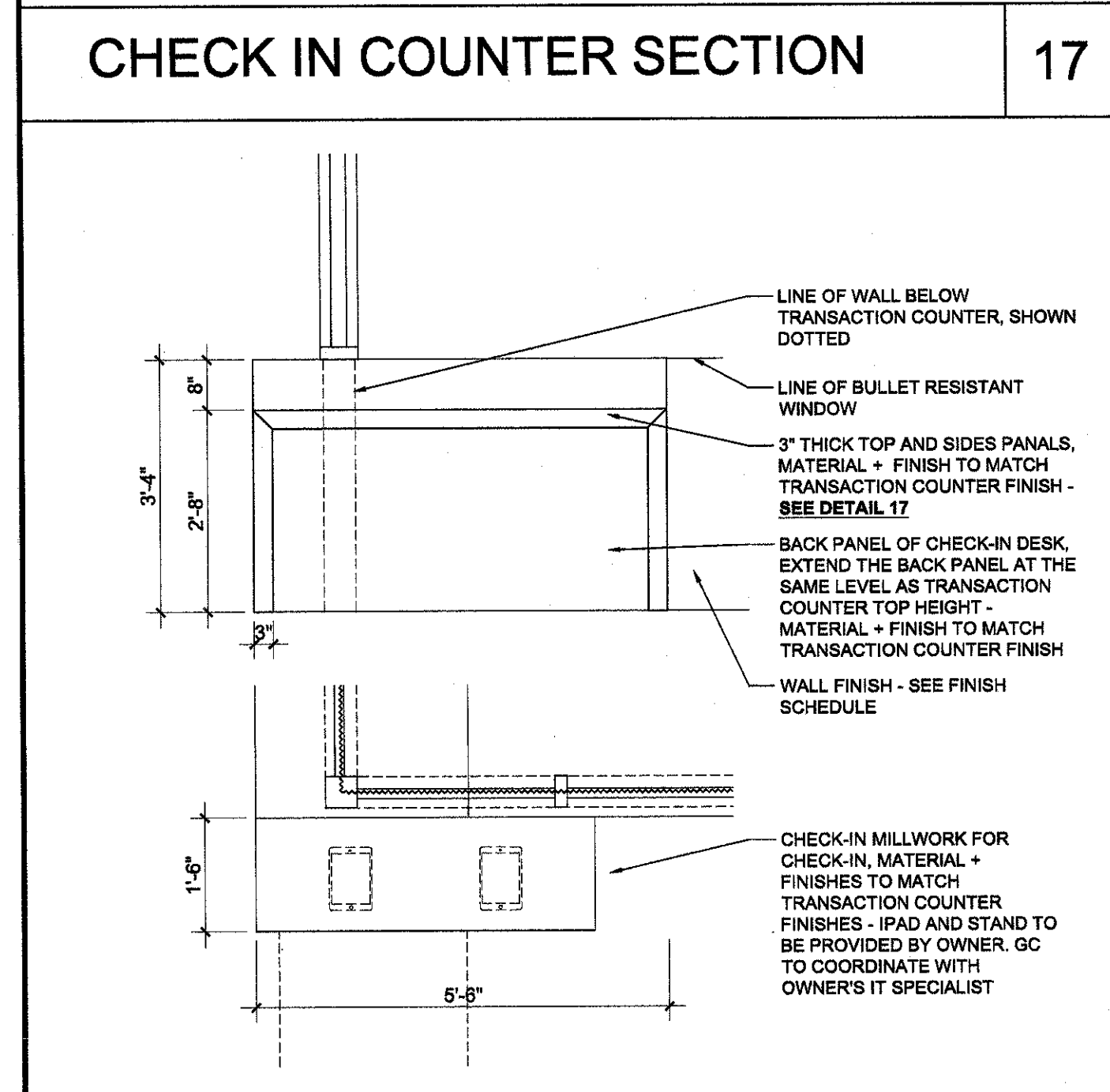
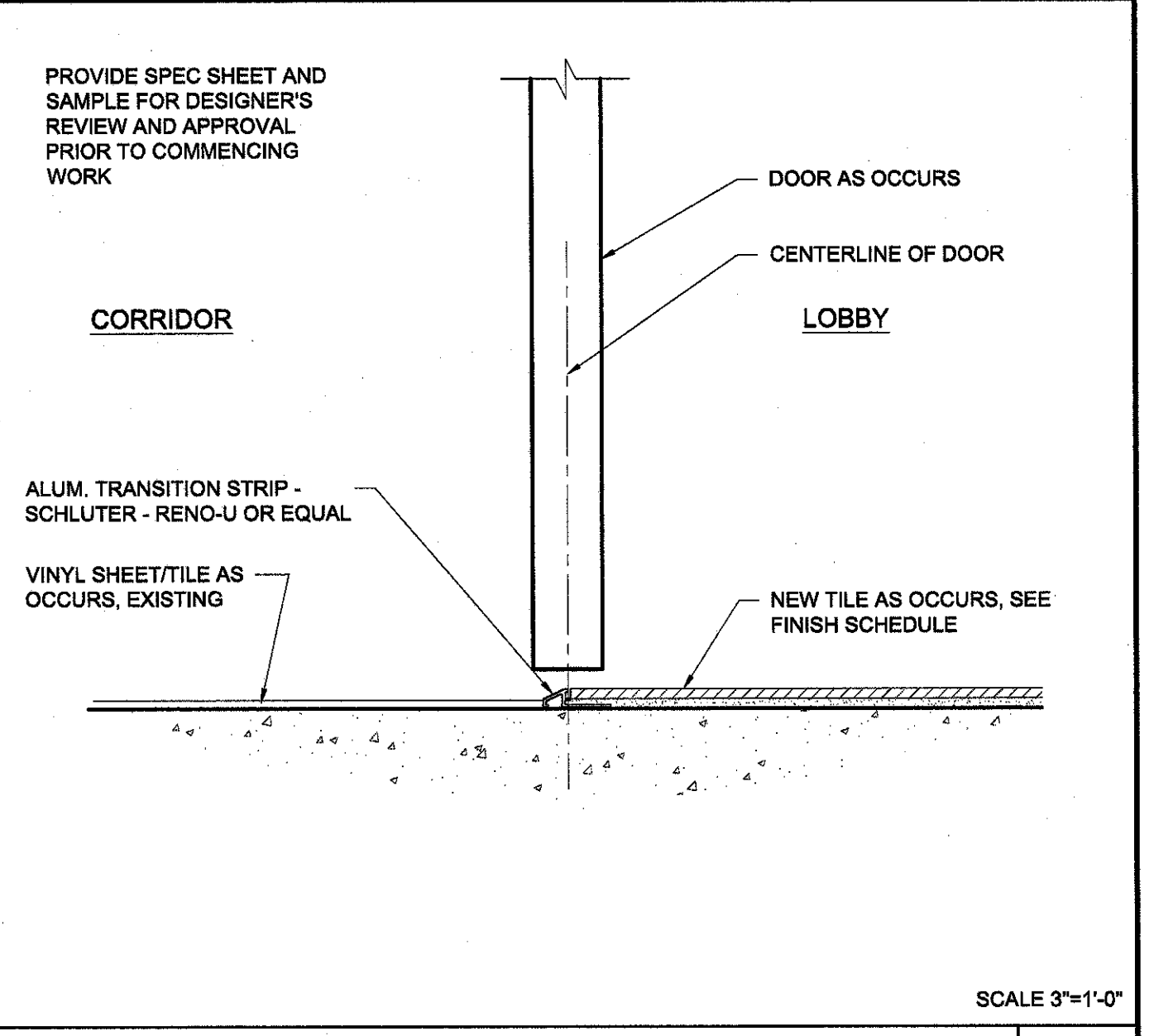
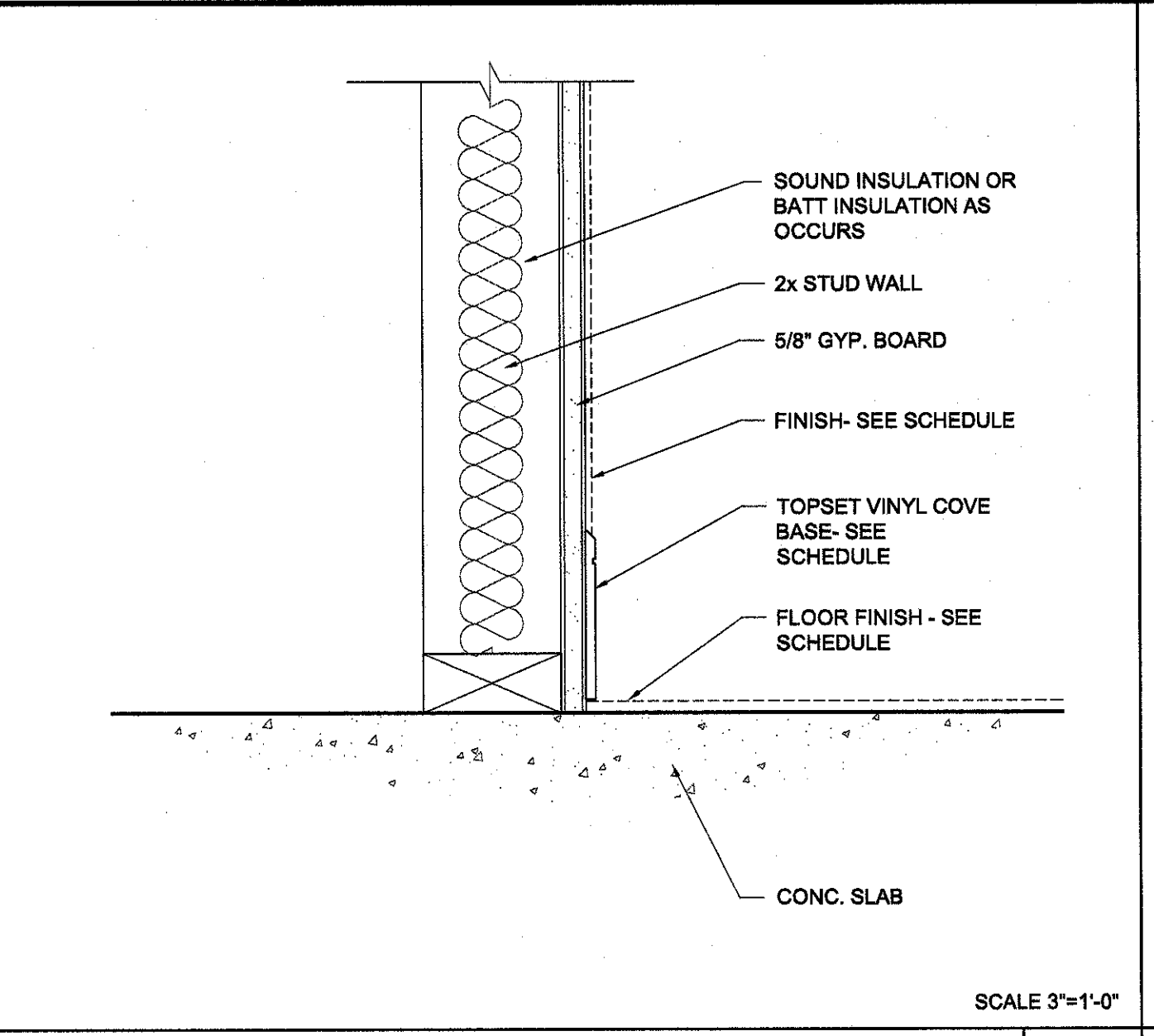


MILLWORK/ CASEWORK NOTES 9

1. Millwork contractor to provide all required hardware and instructions for proper installation.
2. Interior hardware (knobs, pulls, screws, anchors, etc.) to be non-corrosive.
3. All wood must comply with AWI "Custom Grade" or better quality standards. Wood construction is to be selected, seasoned, free of knots, free of worms and vermin, and kiln-dried to a moisture content not to exceed 7%, if imported, fumigation may be required depending on country of origin and certificate.
4. All images, photographs, renderings of specified items contained in this specification package are for general design intent and reference only.
5. Refer to preamble for terms, conditions, abbreviations, definitions, responsibilities, and general guidelines for all specified items.
6. Refer to drawings for exact locations and/or mounting heights of furniture, fixtures, and equipment. In the event of a discrepancy between drawings and specifications, please notify MDR Architects immediately for written clarification.
7. Submittal of shop drawings, finish samples, and/or prototype to MDR & Owner/Operator for review and written approval is required.
8. Shop drawings must include detailed locations of hardwood and/or particle board construction.
9. Item quantity to be based on final plans, room quantity and final mark.
10. Where C.O.M. is required, millwork contractor to verify vendor requirements.
11. Provide heavy-duty nylon furniture glides; diameter to be sized according to item's leg dimensions (as large as possible) without being visible. Glides coat to best match leg finish. Designer must coordinate the application and floor surface of item (i.e. carpet, wood or stone) and provide appropriate glide to prevent damage of floor surface.
12. All cushions, foam padding and upholstered panels must be inherently flame retardant or treated to meet California Bulletin #117 and all other local, state and federal code requirements. The requirements noted within this specification are general, and local jurisdiction requirements may be more stringent. Notify MDR Architects for written clarification if these requirements are not met.



Revisions

ISSUED FOR PLAN CHECK	9-15-18
PLAN CHECK CORRECTIONS	10-20-18
ISSUED FOR BID	1-16-17

Plan Check #:
AP #:

Interior Tenant Improvements for Records Department of
Garden Grove Police Department
11301 ACACIA PKWY,
Garden Grove, CA 92840



Issue Date:
MDR Ref. No.:
Scale: AS NOTED
Drawn By: MDR
Title: DETAILS
Sheet No.

A-9.3